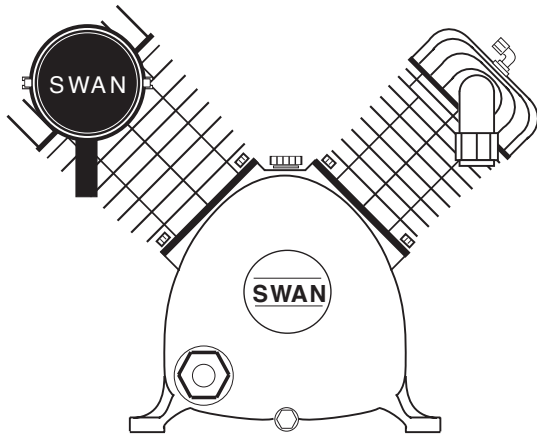
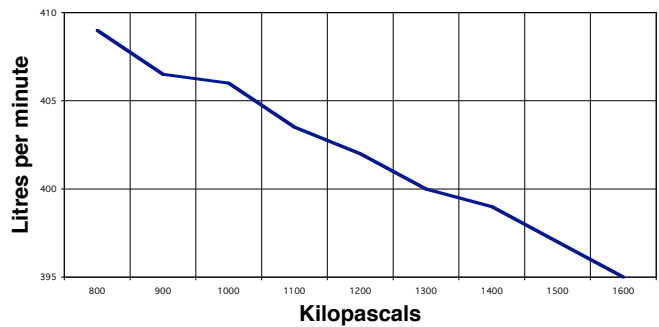


### SWAN model HV-205 Two stage 2 cyl. air cooled

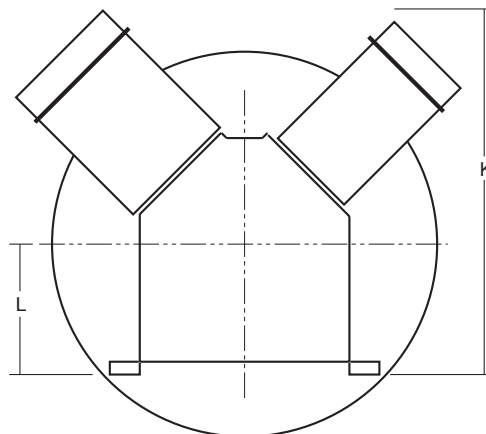
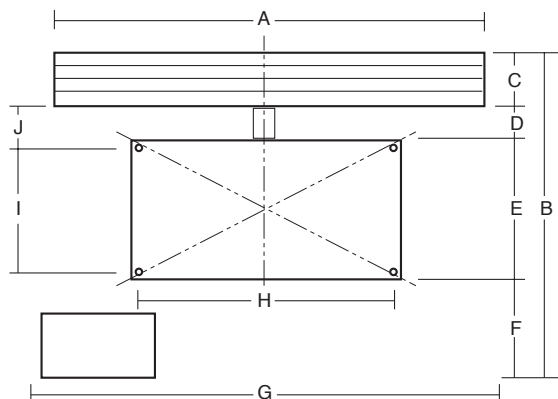
Rev.  
No. CS0308-HV205



### HV-205 PERFORMANCE



Main Construction Material	Cast Iron			
Bore	mm	L95 H50.8		
Stroke	mm	85	Piston Displacement	L/min 545
Minimum Speed	rpm	580	Free Air Delivery @ 1378 kPa	L/min 399
<b>Normal Speed</b>	<b>rpm</b>	<b>900</b>	Shaft Input:	
Maximum Speed	rpm	1000	@ 1034 kPa	kW 3.23
Minimum Working Pressure	kPa	345	@ 1205 kPa	kW 3.41
Maximum Working Pressure	kPa	1725	@ 1378 kPa	kW 3.57
Minimum Ambient Temperature	Celsius	0°	@ 1550 kPa	kW 3.72
Maximum Ambient Temperature	Celsius	45°	Temperature of Air Discharge:	
Air Connection Comp. Fitting	mm	20	@ 1034 kPa	Celsius 122°
Air Cleaners	Dry Paper Type		@ 1205 kPa	Celsius 134°
Bore Lubrication	Splash Feed		@ 1378 kPa	Celsius 142°
Oil Capacity of Crankcase	Litres	1.136	@ 1550 kPa	Celsius 152°
Type of Drive	V-belt	3A	Maximum Lubricant Consumed	
Approximate Net Weight	kgs	64	in 100 hours Operation	millilitres 131.78
Rotation Looking at Flywheel	Anti-clockwise		Noise Level at 1 metre	dB(A) 83



A	400 mm
B	420 mm
C	65 mm
D	60 mm
E	180 mm
F	60 mm
G	585 mm
H	275 mm
I	130 mm
J	85 mm
K	450 mm
L	152 mm

Forbes (Aust) Pty Ltd reserves the right to change the specifications of any of its products without prior notice