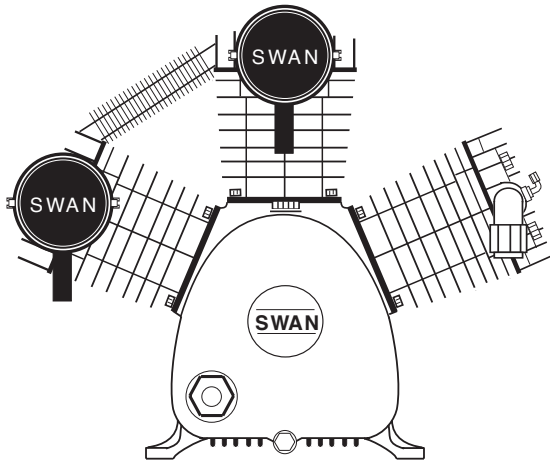
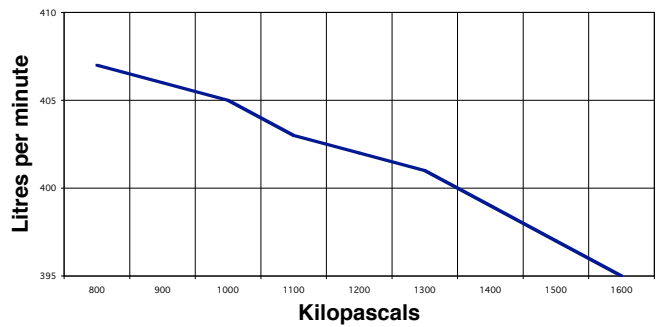


### SWAN model HW-310 Two stage 3 cyl. air cooled

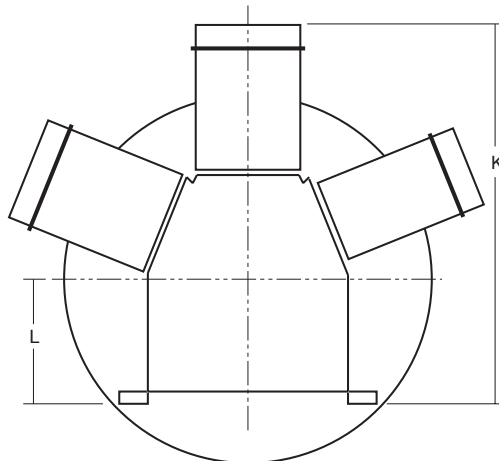
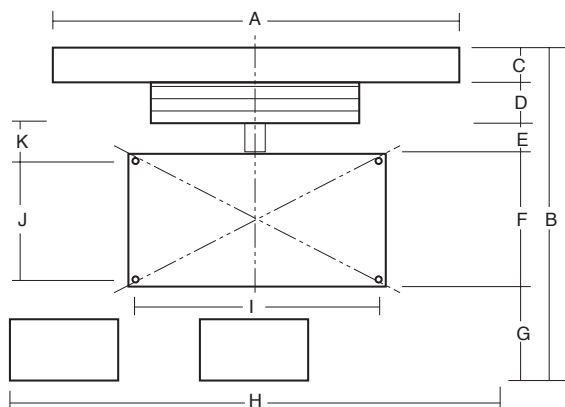
Rev.  
No. CS0308-HW310



### HW-310 PERFORMANCE



Main Construction Material	Cast Iron	<i>The following are at normal speed with an ambient temperature of 31.1°C &amp; inlet air of 101 kPa g pressure.</i>			
Bore	mm	L95 H77	Piston Displacement	L/min	1048
Stroke	mm	85	Free Air Delivery @ 1378 kPa	L/min	765
Minimum Speed	rpm	630	Shaft Input:		
<b>Normal Speed</b>	<b>rpm</b>	<b>870</b>	@ 1034 kPa	kW	6.42
Maximum Speed	rpm	1000	@ 1205 kPa	kW	6.79
Minimum Working Pressure	kPa	345	@ 1378 kPa	kW	6.94
Maximum Working Pressure	kPa	1725	@ 1550 kPa	kW	7.46
Minimum Ambient Temperature	Celsius	0°	Temperature of Air Discharge:		
Maximum Ambient Temperature	Celsius	45°	@ 1034 kPa	Celsius	130°
Air Connection Comp. Fitting	mm	25	@ 1205 kPa	Celsius	142°
Air Cleaners	Dry Paper Type		@ 1378 kPa	Celsius	153°
Bore Lubrication	Splash Feed		@ 1550 kPa	Celsius	162°
Oil Capacity of Crankcase	Litres	1.98	Maximum Lubricant Consumed		
Type of Drive	V-belt	3B	in 100 hours Operation	millilitre	261.28
Approximate Net Weight	kgs	92	Noise Level at 1 metre	dB(A)	85
Rotation Looking at Flywheel	Anti-clockwise				



A	500 mm
B	500 mm
C	75 mm
D	80 mm
E	215 mm
F	40 mm
G	670 mm
H	275 mm
I	180 mm
J	100 mm
K	540 mm
L	180 mm

Forbes (Aust) Pty Ltd reserves the right to change the specifications of any of its products without prior notice