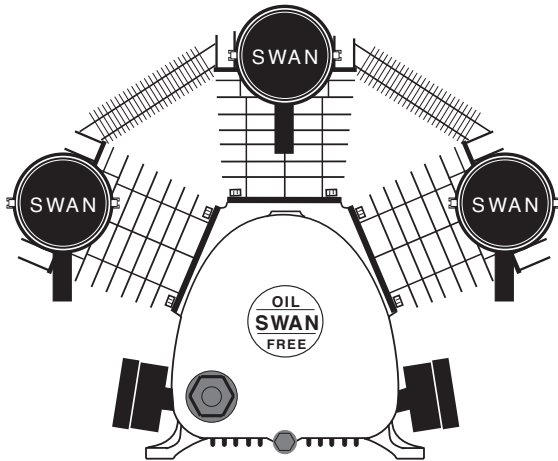
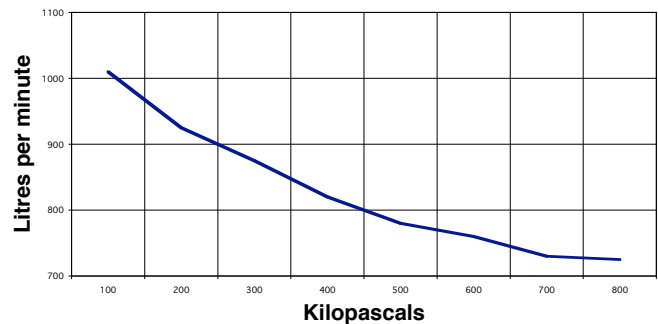


SWAN model SD-307 Single stage OIL FREE 3 cyl. air cooled

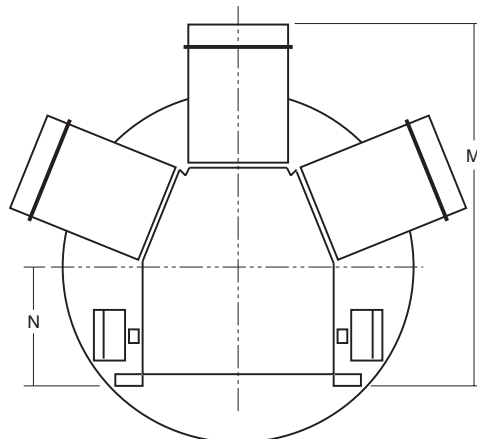
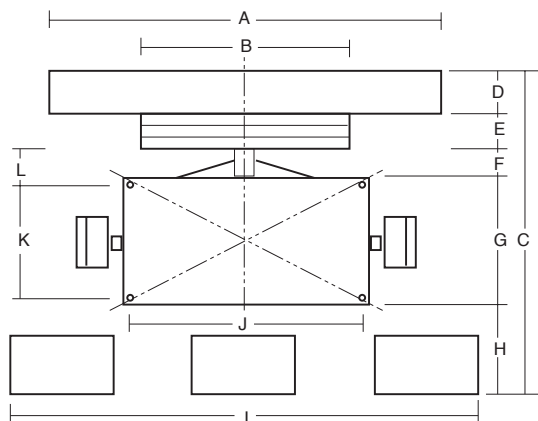
Rev. No. CS0412-SD307



SD-307 PERFORMANCE



Main Construction Material	Cast Iron / Alloy	<i>The following are at normal speed with an ambient temperature of 31.1°C & inlet air of 101 kPa g pressure.</i>			
Bore	mm	95	Piston Displacement	L/min	1041
Stroke	mm	70	Free Air Delivery @ 689 kPa	L/min	730
Minimum Speed	rpm	200	Shaft Input:		
Normal Speed	rpm	700	@ 415 kPa	kW	4.81
Maximum Speed	rpm	700	@ 551 kPa	kW	5.01
Minimum Working Pressure	kPa	275	@ 689 kPa	kW	5.41
Maximum Working Pressure	kPa	850	@ 850 kPa	kW	5.62
Minimum Ambient Temperature	Celsius	0°	Temperature of Air Discharge:		
Maximum Ambient Temperature	Celsius	45°	@ 415 kPa	Celsius	103°
Air Connection (x2) Comp. Fitting	mm	25	@ 551 kPa	Celsius	112°
Air Cleaners	Dry Paper Type		@ 689 kPa	Celsius	120°
Bore Lubrication	P.T.F.E / Graphite		@ 850 kPa	Celsius	146°
Oil Capacity of Crankcase	N/A		Maximum Lubricant Consumed		
Type of Drive	V-belt	3B	in 100 hours Operation	N/A	
Approximate Net Weight	kgs	90	Noise Level at 1 metre	dB(A)	85
Rotation Looking at Flywheel	Anti-clockwise				



A	560 mm
B	250 mm
C	520 mm
D	60 mm
E	67 mm
F	65 mm
G	215 mm
H	100 mm
I	730 mm
J	275 mm
K	180 mm
L	80 mm
M	540 mm
N	180 mm

Forbes (Aust) Pty Ltd reserves the right to change the specifications of any of its products without prior notice