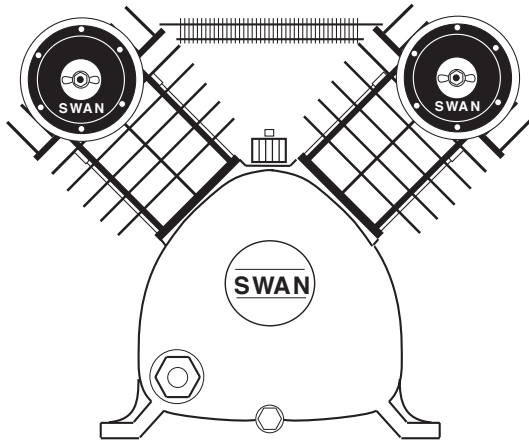
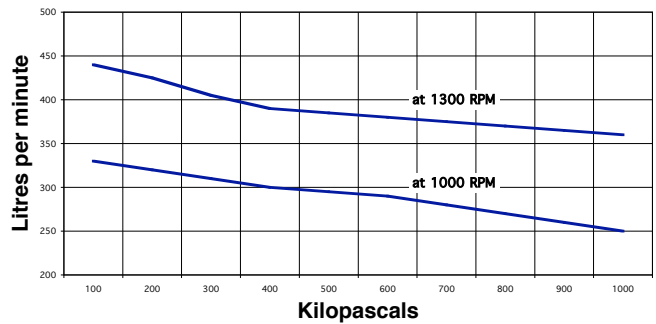


SWAN model SV-202 Single stage 2 cyl. air cooled

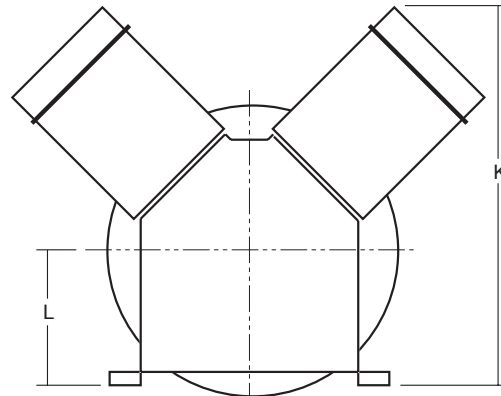
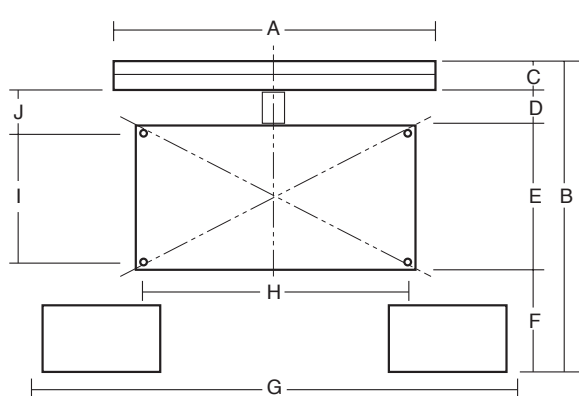
Rev.
No. CS0308-SV202



SV-202 PERFORMANCE



Main Construction Material	Cast Iron	<i>The following are at normal speed with an ambient temperature of 31.1°C & inlet air of 101 kPa g pressure.</i>			
Bore	mm	65	Piston Displacement	L/min	440
Stroke	mm	51	Free Air Delivery @ 689 kPa	L/min	375
Minimum Speed	rpm	650	Shaft Input:		
Normal Speed	rpm	1300	@ 415 kPa	kW	1.35
Maximum Speed	rpm	1500	@ 551 kPa	kW	1.49
Minimum Working Pressure	kPa	275	@ 689 kPa	kW	1.61
Maximum Working Pressure	kPa	964	@ 964 kPa	kW	1.89
Minimum Ambient Temperature	Celsius	0°	Temperature of Air Discharge:		
Maximum Ambient Temperature	Celsius	45°	@ 415 kPa	Celsius	93°
Air Connection Comp. Fitting	mm	12.7	@ 551 kPa	Celsius	99°
Air Cleaners	Dry Fibre Type		@ 689 kPa	Celsius	106°
Bore Lubrication	Splash Feed		@ 964 kPa	Celsius	131°
Oil Capacity of Crankcase	Litres	0.497	Maximum Lubricant Consumed		
Type of Drive	V-belt	2A	in 100 hours Operation	millilitre	19.70
Approximate Net Weight	kgs	26	Noise Level at 1 metre	dB(A)	79
Rotation Looking at Flywheel	Anti-clockwise				



A	270 mm
B	300 mm
C	38 mm
D	52 mm
E	140 mm
F	40 mm
G	400 mm
H	205 mm
I	120 mm
J	70 mm
K	310 mm
L	110 mm

Forbes (Aust) Pty Ltd reserves the right to change the specifications of any of its products without prior notice