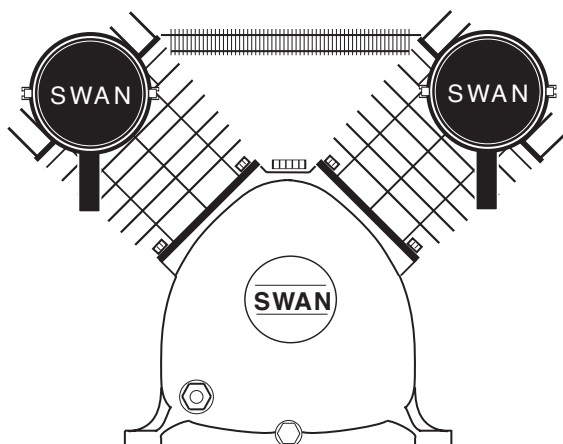
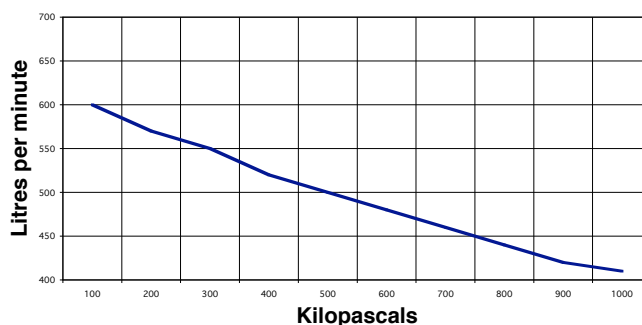


SWAN model SV-203 Single stage 2 cyl. air cooled

Rev.
No. CS0308-SV203

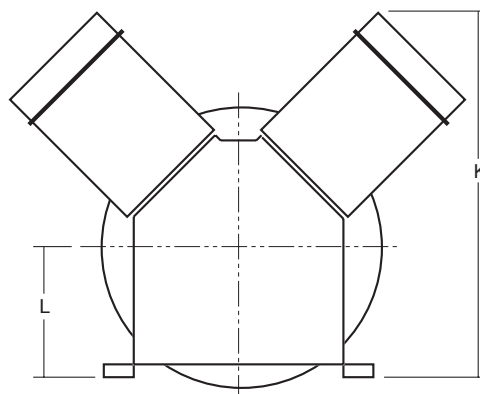
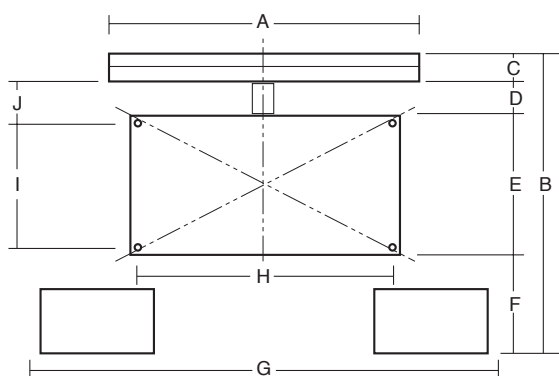


SV-203 PERFORMANCE



Main Construction Material	Cast Iron			
Bore	mm	82		
Stroke	mm	70		
Minimum Speed	rpm	460		
Normal Speed	rpm	830		
Maximum Speed	rpm	1000		
Minimum Working Pressure	kPa	275		
Maximum Working Pressure	kPa	964		
Minimum Ambient Temperature	Celsius	0°		
Maximum Ambient Temperature	Celsius	45°		
Air Connection Comp. Fitting	mm	20		
Air Cleaners	Dry Paper Type			
Bore Lubrication	Splash Feed			
Oil Capacity of Crankcase	Litres	0.910		
Type of Drive	V-belt	2A		
Approximate Net Weight	kgs	50		
Rotation Looking at Flywheel	Anti-clockwise			

<i>The following are at normal speed with an ambient temperature of 31.1°C & inlet air of 101 kPa g pressure.</i>				
Piston Displacement	L/min	613		
Free Air Delivery @ 689 kPa	L/min	460		
Shaft Input:				
	@ 415 kPa	kW	2.27	
	@ 551 kPa	kW	2.53	
	@ 689 kPa	kW	2.75	
	@ 964 kPa	kW	3.07	
Temperature of Air Discharge:				
	@ 415 kPa	Celsius	112°	
	@ 551 kPa	Celsius	122°	
	@ 689 kPa	Celsius	130°	
	@ 964 kPa	Celsius	155°	
Maximum Lubricant Consumed				
	in 100 hours Operation	millilitre	32.95	
Noise Level at 1 metre		dB(A)	82	



A	290 mm
B	400 mm
C	50 mm
D	20 mm
E	185 mm
F	95 mm
G	550 mm
H	258 mm
I	135 mm
J	45 mm
K	410 mm
L	125 mm

Forbes (Aust) Pty Ltd reserves the right to change the specifications of any of its products without prior notice