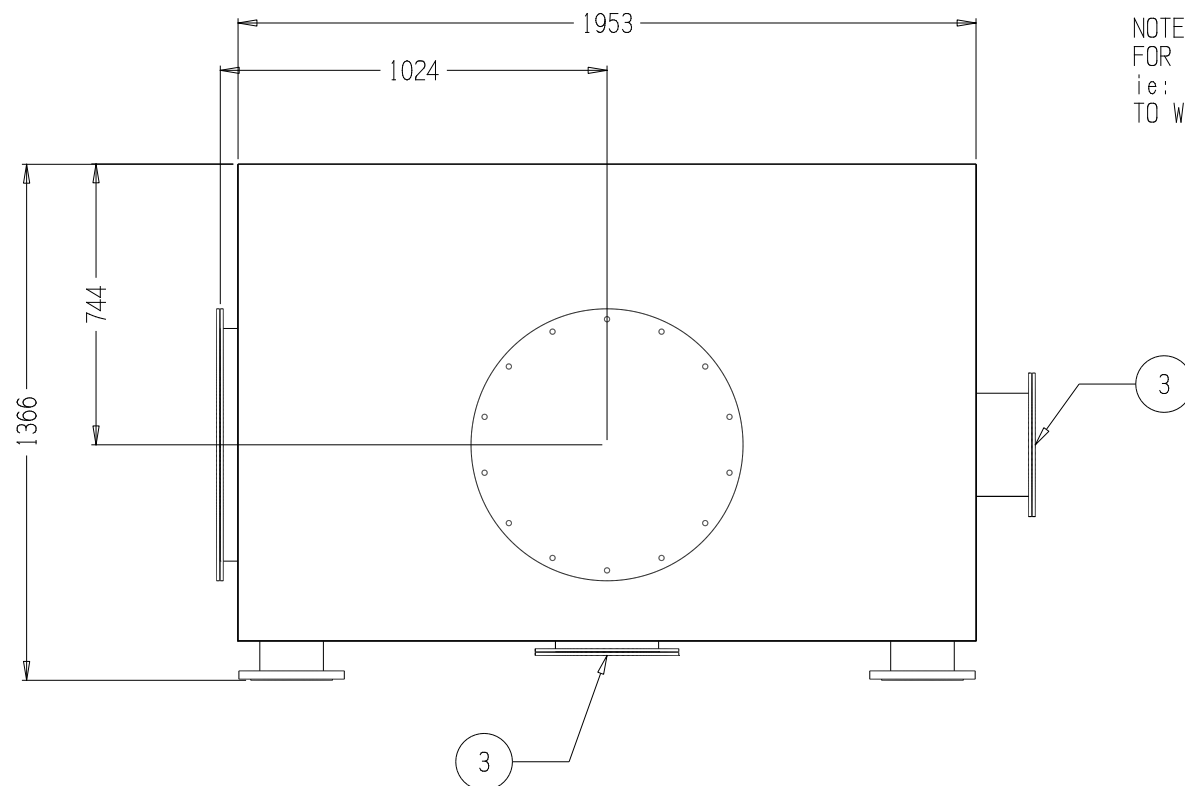


STACK FLANGE DETAIL

14 HOLES  
Ø14 ON  
665 PCD

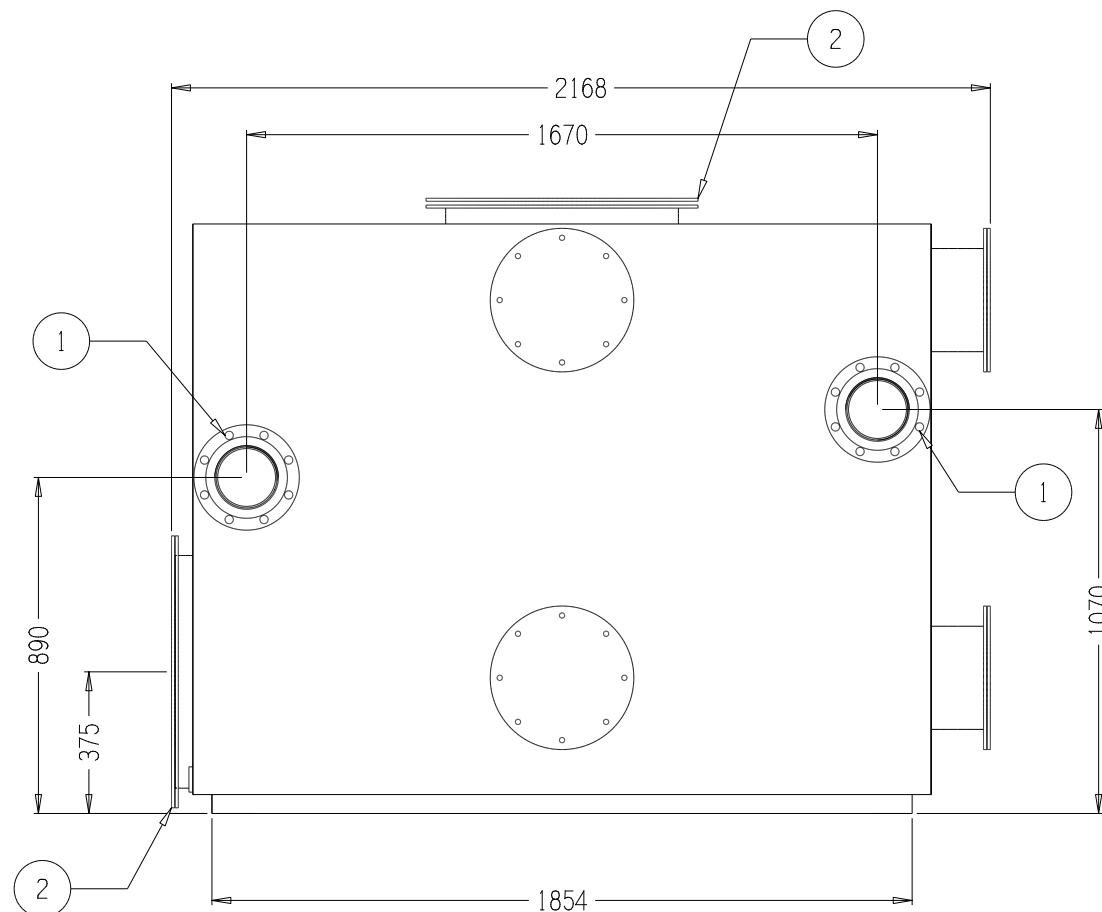
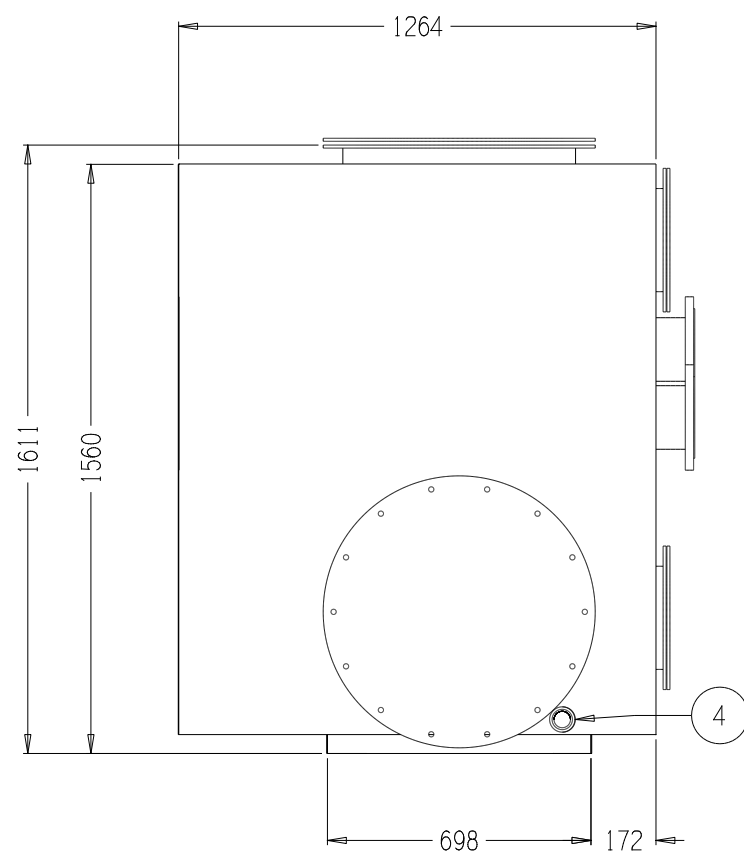
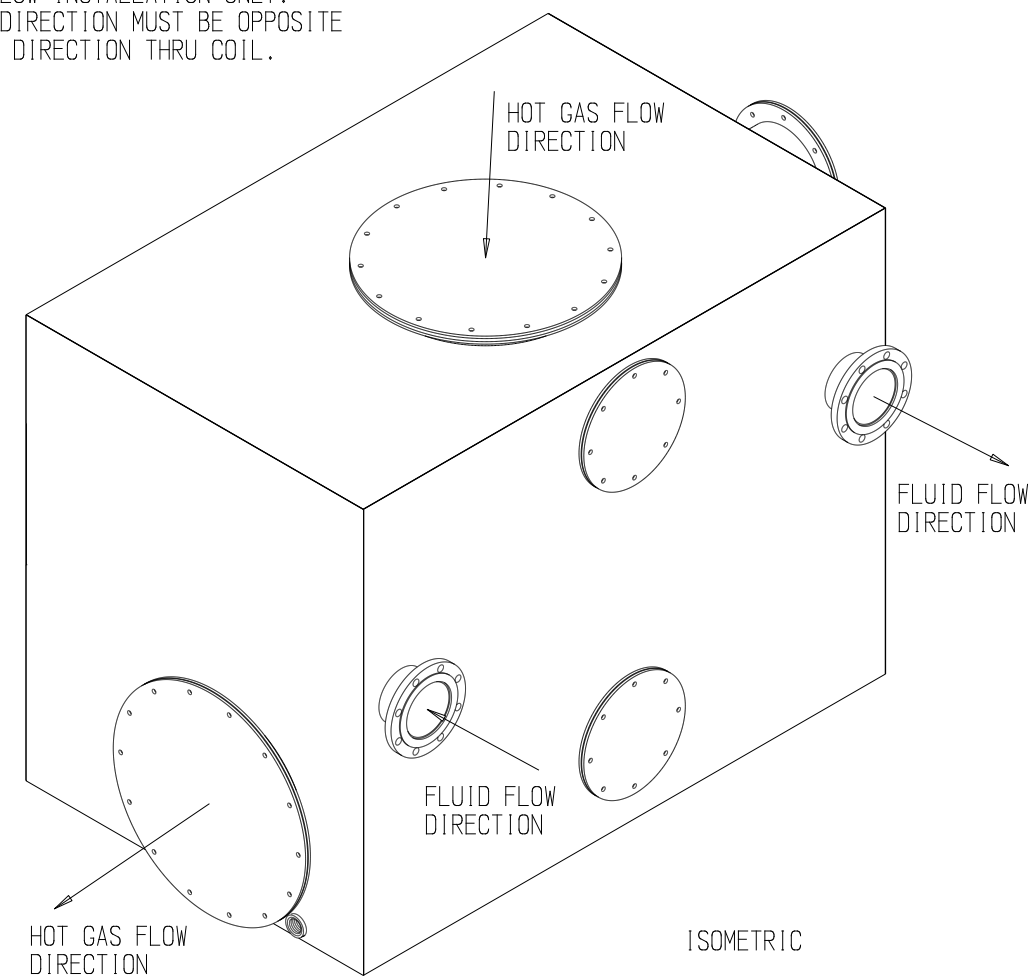
ATTACHING STACK CAN BE  
CUT DIRECTLY INTO  
BLANK FLANGE

NOTE 1:  
DESIGN CODE: AS1210-1997(3)  
DESIGN CLASS: 3  
MAXIMUM DESIGN TEMPERATURE: 200°C  
MAXIMUM DESIGN PRESSURE: 1500 kPa  
FLOODED VOLUME: 185 LITRES  
HAZARD LEVEL: "D"  
TRANSPORT MASS: 600 KGS



NOTE 2:  
FOR COUNTER-FLOW INSTALLATION ONLY.  
ie: GAS FLOW DIRECTION MUST BE OPPOSITE  
TO WATER FLOW DIRECTION THRU COIL.

IMPORTANT:  
NO VERTICAL LOADS PERMITTED.

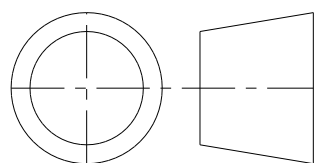


HEATER OUTPUT	FLUID FLOWRATE	FLUID SIDE Δ P	GAS SIDE Δ P
kW	L/sec	kPa	mm/WG
1150	11.0	0.6	1.33
2350	56.14	36.3	5.74

APPROXIMATE INTERMEDIATE BACK PRESSURES  
CAN BE DERIVED THRU LINEAR INTERPOLATION

ITEM	DESCRIPTION	CONNECTION	QTY
5			
4	CONDENSATE DRAIN SOCKET	50 NB BSP THREAD	1
3	INSPECTION/WASHDOWN OPENINGS	Ø263 ID MAXIMUM	4
2	HOT GAS CONNECTION	Ø610 ID MAXIMUM	2
1	FLUID FLOW CONNECTION @ 200°C & 1400 kPa	150 NB ANSI 150	2

REV	REVISION NOTE	DATE	CKD
A	ORIGINAL ISSUE	14/06/07	



THIRD ANGLE PROJECTION

**HUNT**  
**BOILERS**  
A Division of Forbes (Aust) Pty Ltd

THIS DRAWING WAS PREPARED BY HUNT  
BOILERS. THE INFORMATION IT CONTAINS  
IS CONFIDENTIAL AND MUST NOT BE USED,  
DISCLOSED OR REPRODUCED WITHOUT  
WRITTEN AUTHORITY.

ALL DIMENSIONS IN MILLIMETERS	DRAWN: P.C.H.	DESCRIPTION: HEAT RECOVERY CONDENSING UNIT MODEL: HRCU-13H TO SUIT: FROM 1150kW HEATER OUTPUT TO 2350kW HEATER OUTPUT
DO NOT SCALE THIS DRAWING	DATE: 14/06/07	DRAWING No: HRCU-13H GA
COMPUTER AIDED DRAFT	CHECKED: ***	