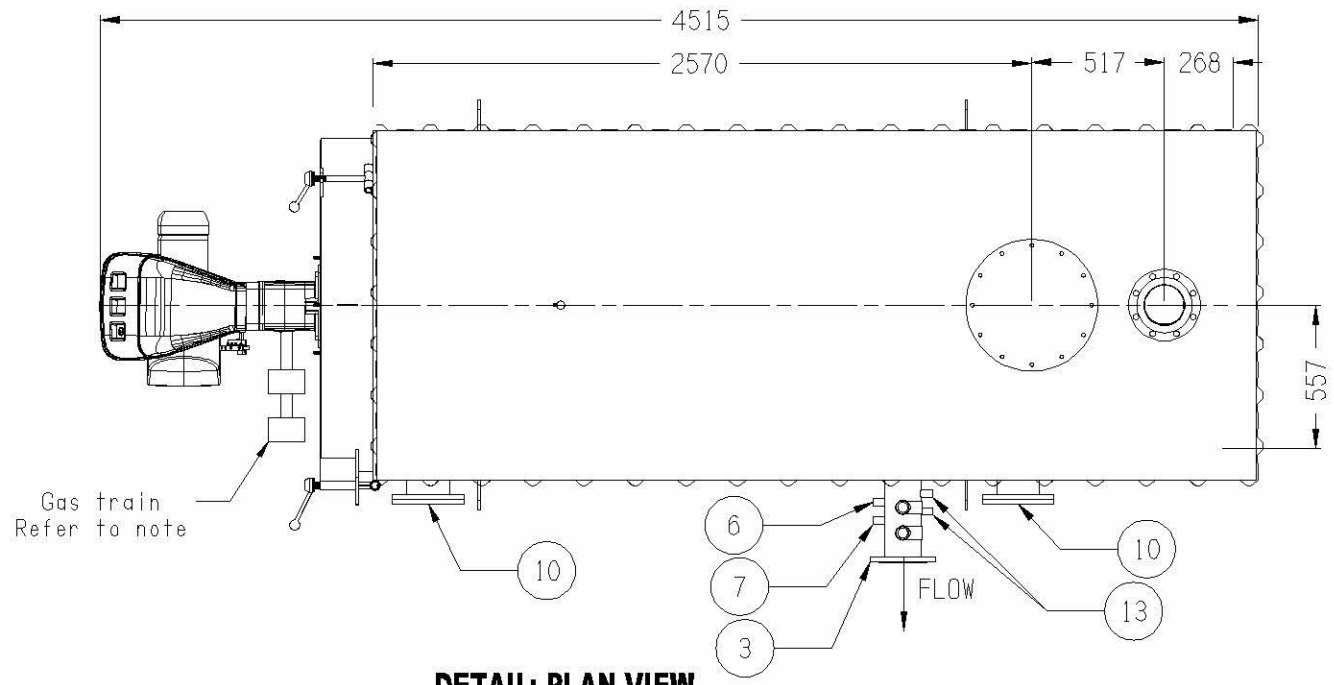
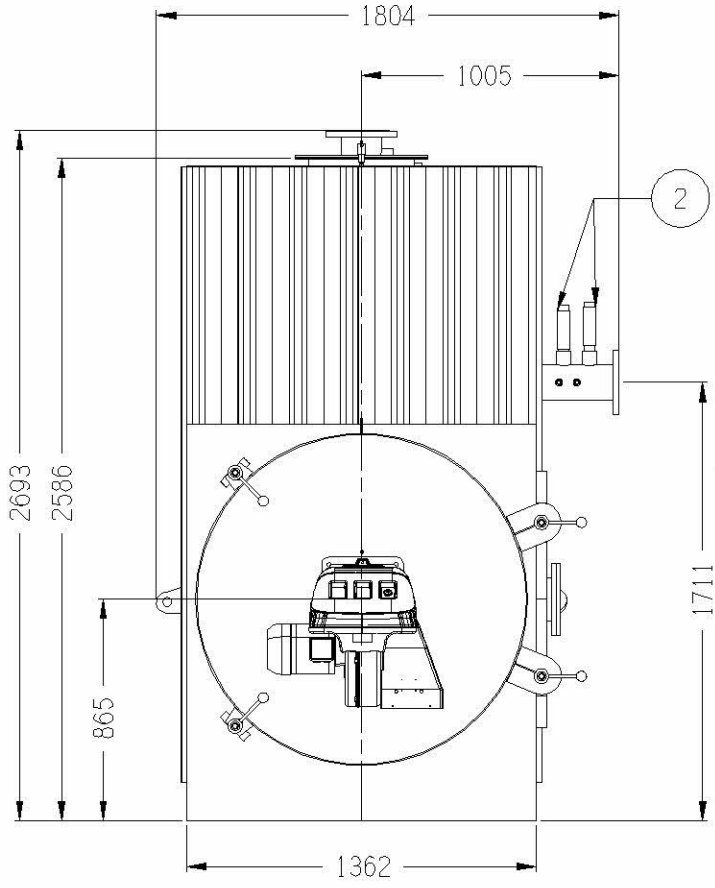


DETAIL: STACK FLANGE

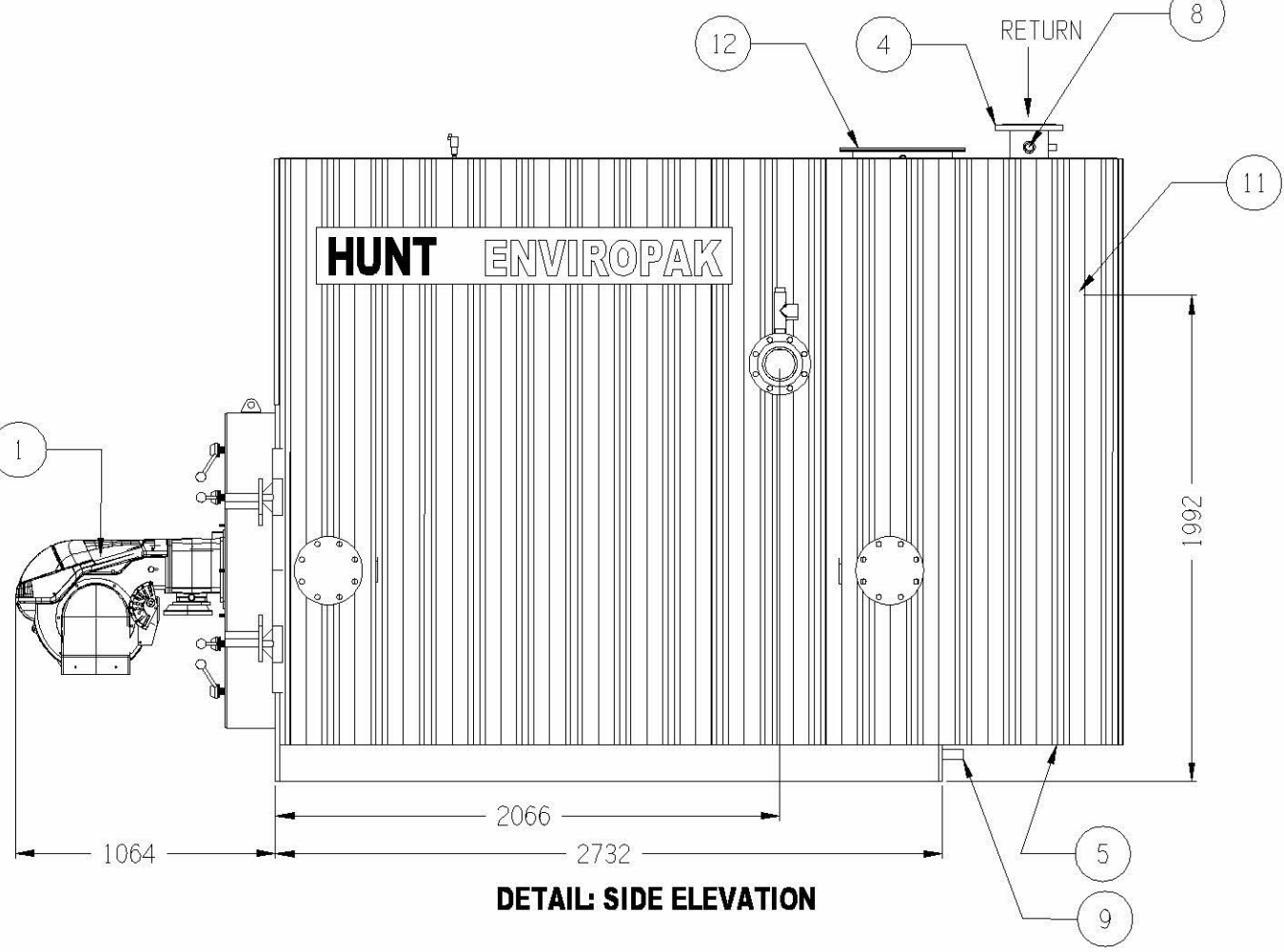
THE CONFIGURATION AND DIMENSIONS OF THE BURNER GAS TRAIN CAN VARY DEPENDING ON GAS SUPPLY PRESSURE AND SITE SPECIFICATIONS. HUNT BOILERS CAN PROVIDE GAS TRAIN CONFIGURATION AND DIMENSION ON RECEIPT OF THE DESIGN CRITERIA FOR YOUR PROJECT.



DETAIL: PLAN VIEW



DETAIL: FRONT ELEVATION



DETAIL: SIDE ELEVATION

IN THE INTEREST OF CONTINUOUS IMPROVEMENT HUNT BOILERS RESERVES THE RIGHT TO CHANGE THE SPECIFICATIONS OF IT'S PRODUCTS WITHOUT PRIOR NOTICE.



SPECIFICATIONS:

HUNT ENVIROPAK SERIES
HOT WATER CONDENSING BOILER
MODEL: H-ENV-1500 (1500KW)
DESIGN REFERENCE: AS1210-2010
CLASS: 3

DESIGNATION NUMBER:	AS1210-3
OUTPUT CAPACITY:	1500 kW
MAX. OPERATING TEMPERATURE:	99°C
MAX. OPERATING PRESSURE:	470 kPa
DESIGN PRESSURE:	500 kPa
TEST PRESSURE:	750 kPa
INPUT:	* 6191 MEGAJOULES/hr
OUTPUT:	5400 MEGAJOULES/hr
WATER CONTENT:	1526 LITRES
DRY WEIGHT:	4150 kg

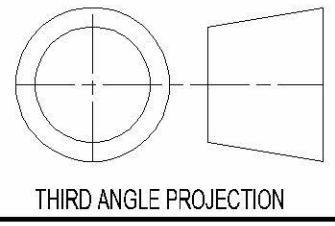
HAZARD LEVEL TO AS4343-2005	
OPEN VENTED	"E"
>65°C <90°C	"D"
≥90°C <100°C	"C"

WATER FLOW RATE kg/sec	ΔT	36.62
		8.60
WATER PRESSURE DROP kPa	24.44	*
	5.11	
	18.35	
	2.81	

* = BASED ON 65°C WATER INLET TO 80°C WATER OUTLET

ITEM	DESCRIPTION	TYPE	STYLE	SIZE	QTY
13	THERMOSTAT				2
12	ROUND FLUE CONNECTION	FLANGED	SEE DETAIL	410ID	1
11	RECOVERY CONDENSATE	STUB	-	50mm	1
10	INSPECTION OPENINGS	FLANGE	TABLE 'E'	150NB	2
9	DRAIN CONNECTION	STUB	BSP	25NB	1
8	LOW LEVEL PROBE CON	STUB	BSP	32NB	1
7	TEMPERATURE GAUGE	BIMETAL	0-150°C		1
6	PRESSURE GAUGE	BOURDON	0-1000kPa		1
5	HEATER CONDENSATE	STUB	BSP	25NB	1
4	RETURN CONNECTION	FLANGE	ANSI 150	150NB	1
3	FLOW CONNECTION	FLANGE	ANSI 150	150NB	1
2	SAFETY VALVE	BRONZE	FULL LIFT	32NB	2
1	BURNER	FORCED DRAFT	GUN		1

REV	REVISION NOTE	DATE	CKD
B	RIELLO BURNER ADDED	14/03/12	DA
A	ORIGINAL ISSUE	07/07/09	



HUNT BOILERS
A Division of Forbes (Aust) Pty Ltd

THIS DRAWING WAS PREPARED BY HUNT BOILERS. THE INFORMATION IT CONTAINS IS CONFIDENTIAL AND MUST NOT BE USED, DISCLOSED OR REPRODUCED WITHOUT WRITTEN AUTHORITY.

ALL DIMENSIONS IN MILLIMETERS	DRAWN: D.L.D.	DESCRIPTION: HUNT ENVIROPAK 1500KW HOT WATER CONDENSING BOILER GENERAL ARRANGEMENT
DO NOT SCALE THIS DRAWING	DATE: 07/07/09	
COMPUTER AIDED DRAFT	CHECKED: DA	DRAWING No: H-ENV-1500-GA