



SPECIFICATIONS:

HUNT ENVIROPAK SERIES
 HOT WATER CONDENSING BOILER
 MODEL: H-ENV-2000 (2000KW)
 DESIGN REFERENCE: AS1210-2010
 CLASS: 3

DEIGNATION NUMBER: AS1210-3
 OUTPUT CAPACITY: 2000 kW
 MAX. OPERATING TEMPERATURE: 99°C
 MAX. OPERATING PRESSURE: 760 kPa
 DESIGN PRESSURE: 800 kPa
 TEST PRESSURE: 1248 kPa
 INPUT: * 8255 MEGAJOULES/hr
 OUTPUT: 7200 MEGAJOULES/hr
 WATER CONTENT: 2153 LITRES
 DRY WEIGHT: 5300 kg

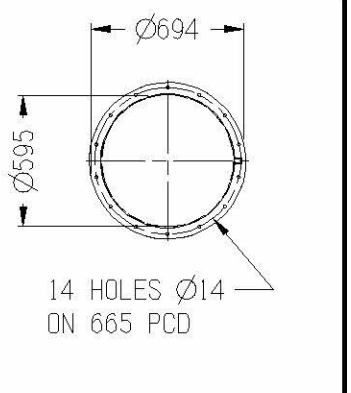
HAZARD LEVEL TO AS4343-2005	
OPEN VENTED	"E"
>65°C <90°C	"C"
≥90°C <100°C	"B"

WATER FLOW RATE kg/sec	ΔT10°C	48.82
		56.85
WATER PRESSURE DROP kPa	ΔT15°C	32.59
	ΔT20°C	27.37
		24.47
		14.66

* = BASED ON 65°C WATER INLET TO 80°C WATER OUTLET

ITEM	DESCRIPTION	TYPE	STYLE	SIZE	QTY
13	THERMOSTAT	-	-	-	2
12	ROUND FLUE CONNECTION	FLANGED	-	595 1Dmm	1
11	RECOVERY CONDENSATE	STUB	-	50mm	1
10	INSPECTION OPENING	FLANGED	TABLE "E"	150NB	2
9	DRAIN CONNECTION	STUB	BSP	25NB	1
8	LOW LEVEL PROBE CON-Optional	STUB	BSP	32NB	1
7	TEMPERATURE GAUGE	BIMETAL	0-150°C	-	1
6	PRESSURE GAUGE	BOURDON	0-1000kPa	-	1
5	HEATER CONDENSATE	STUB	BSP	25NB	1
4	RETURN CONNECTION	FLANGED	ANSI 150	200NB	1
3	FLOW CONNECTION	FLANGED	ANSI 150	150NB	1
2	SAFETY VALVE	BRONZE	FULL LIFT	32NB	2
1	BURNER	FORCED DRAFT	GUN	-	1

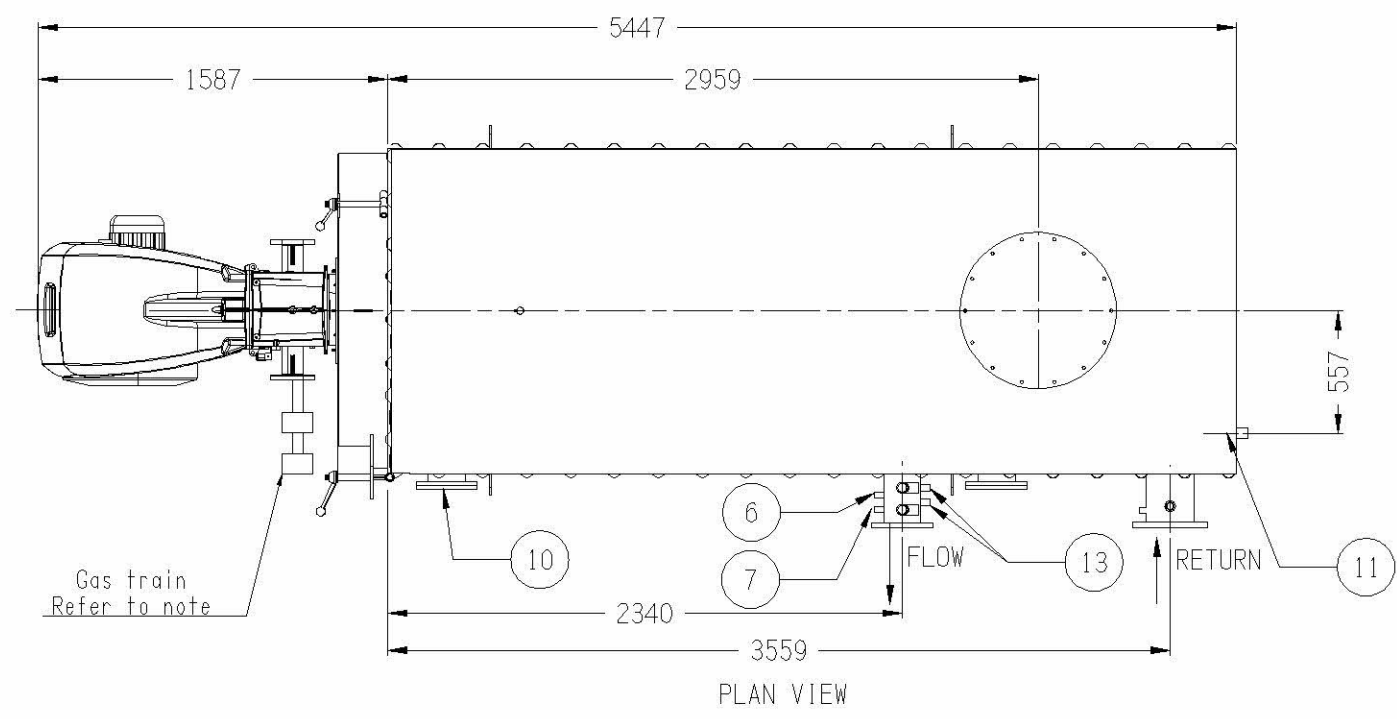
THE CONFIGURATION AND DIMENSIONS OF THE BURNER GAS TRAIN CAN VARY DEPENDING ON GAS SUPPLY PRESSURE AND SITE SPECIFICATIONS.
 HUNT BOILERS CAN PROVIDE GAS TRAIN CONFIGURATION AND DIMENSION ON RECEIPT OF THE DESIGN CRITERIA FOR YOUR PROJECT.



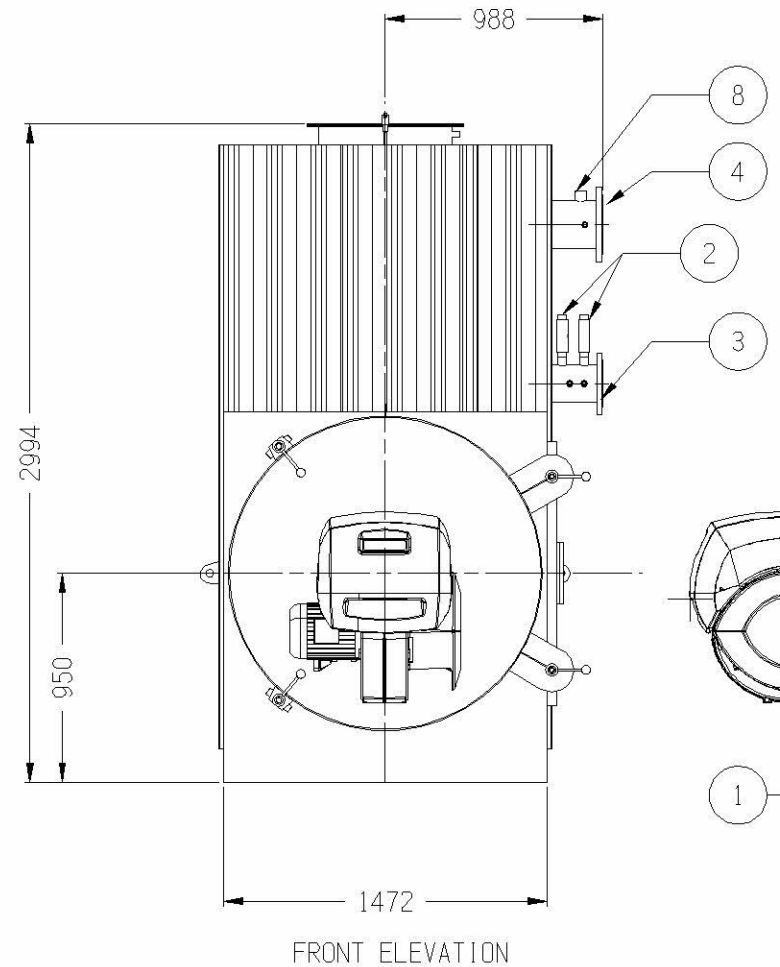
FLUE FLANGE DETAIL

NOTE:
 NO VERTICAL LOADS PERMITTED
 ALL CONNECTIONS MUST BE SELF SUPPORTING

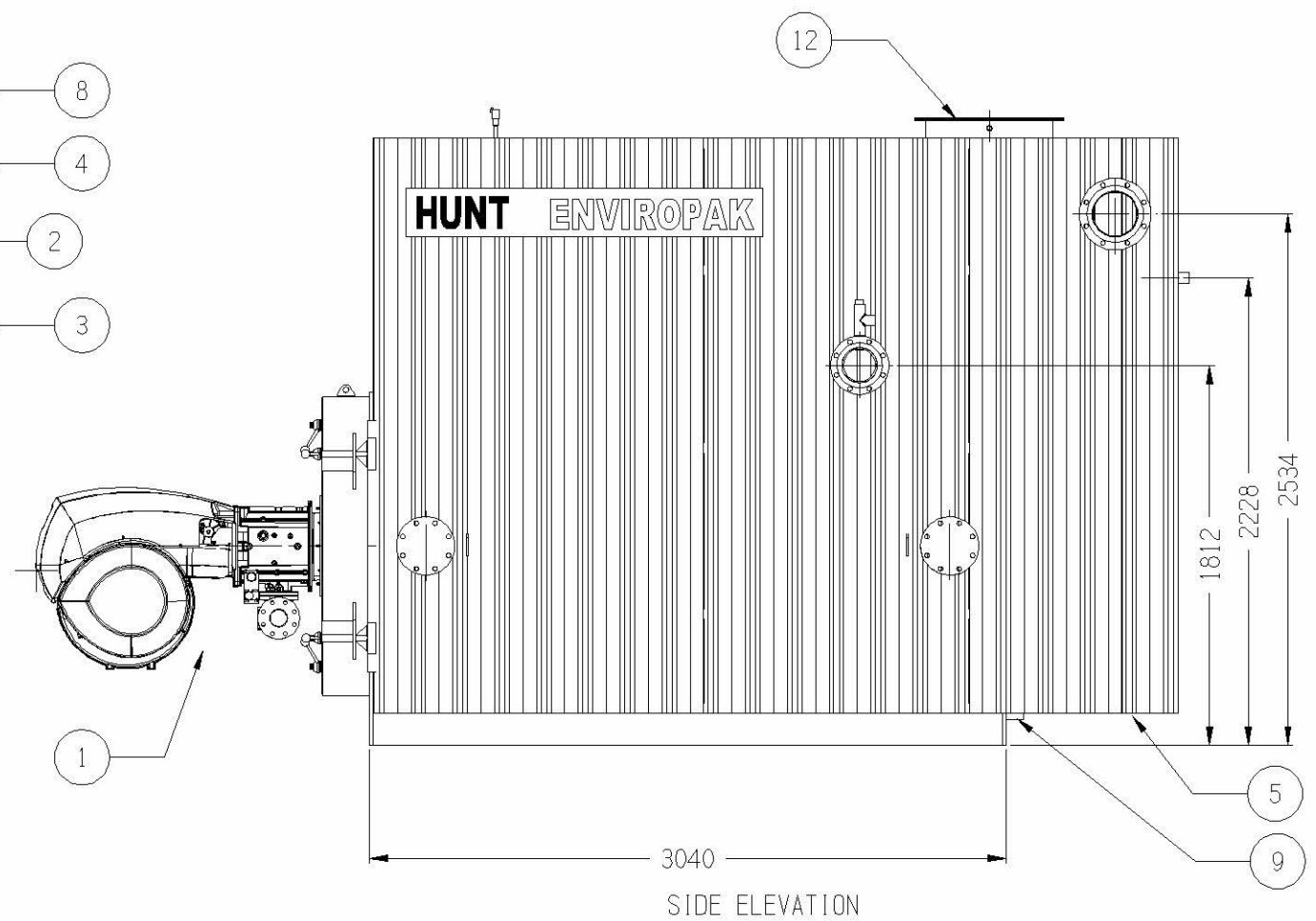
NO LOW LEVEL PROBE CON IS FITTED AS STANDARD.



PLAN VIEW



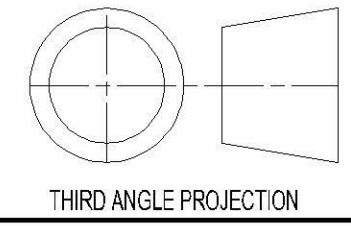
FRONT ELEVATION



SIDE ELEVATION

IN THE INTEREST OF CONTINUOUS IMPROVEMENT HUNT BOILERS RESERVES THE RIGHT TO CHANGE THE SPECIFICATIONS OF ITS PRODUCTS WITHOUT PRIOR NOTICE.

REV	REVISION NOTE	DATE	CKD
B	RIELLO BURNER AND SPECIFICATION UPDATED	30/07/12	DA
A	ORIGINAL ISSUE	07/01/09	



THIRD ANGLE PROJECTION

HUNT BOILERS
 A Division of Forbes (Aust) Pty Ltd

THIS DRAWING WAS PREPARED BY HUNT BOILERS. THE INFORMATION IT CONTAINS IS CONFIDENTIAL AND MUST NOT BE USED, DISCLOSED OR REPRODUCED WITHOUT WRITTEN AUTHORITY.

ALL DIMENSIONS IN MILLIMETERS	DRAWN: P.C.H.	DESCRIPTION: H-ENV-2000 (2000KW) HOT WATER CONDENSING BOILER DESIGN RE: #SD20050162-1
DO NOT SCALE THIS DRAWING	DATE: 07/01/09	
COMPUTER AIDED DRAFT	CHECKED: DA	DRAWING No: H-ENV-2000-GA