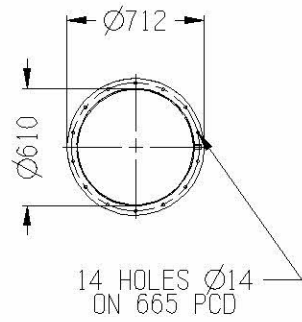
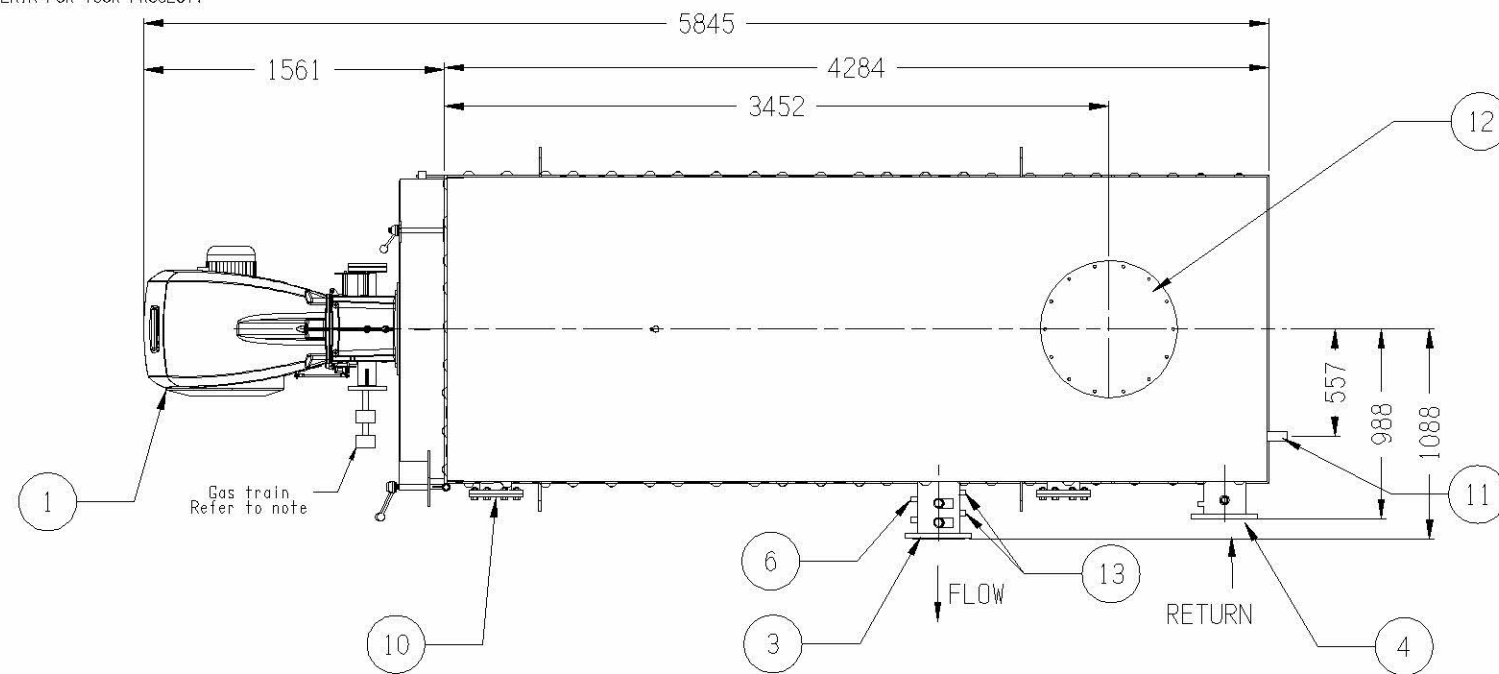


THE CONFIGURATION AND DIMENSIONS OF THE BURNER GAS TRAIN CAN VARY DEPENDING ON GAS SUPPLY PRESSURE AND SITE SPECIFICATIONS. HUNT BOILERS CAN PROVIDE GAS TRAIN CONFIGURATION AND DIMENSION ON RECEIPT OF THE DESIGN CRITERIA FOR YOUR PROJECT.

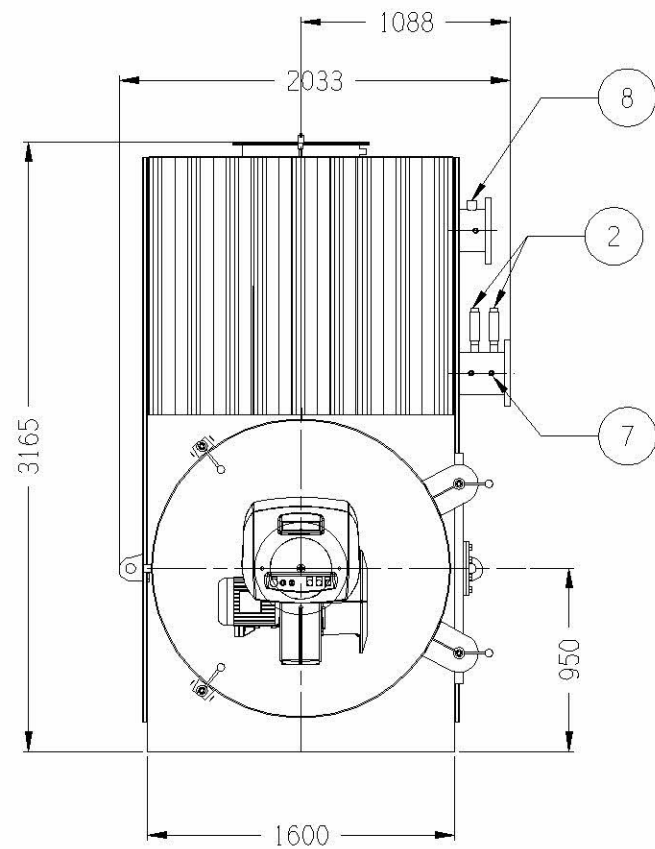


DETAIL: STACK FLANGE

NOTE:
NO VERTICAL LOADS PERMITTED
ALL CONNECTIONS MUST BE SELF SUPPORTING
NO LOW LEVEL PROBE CON IS FITTED AS STANDARD.

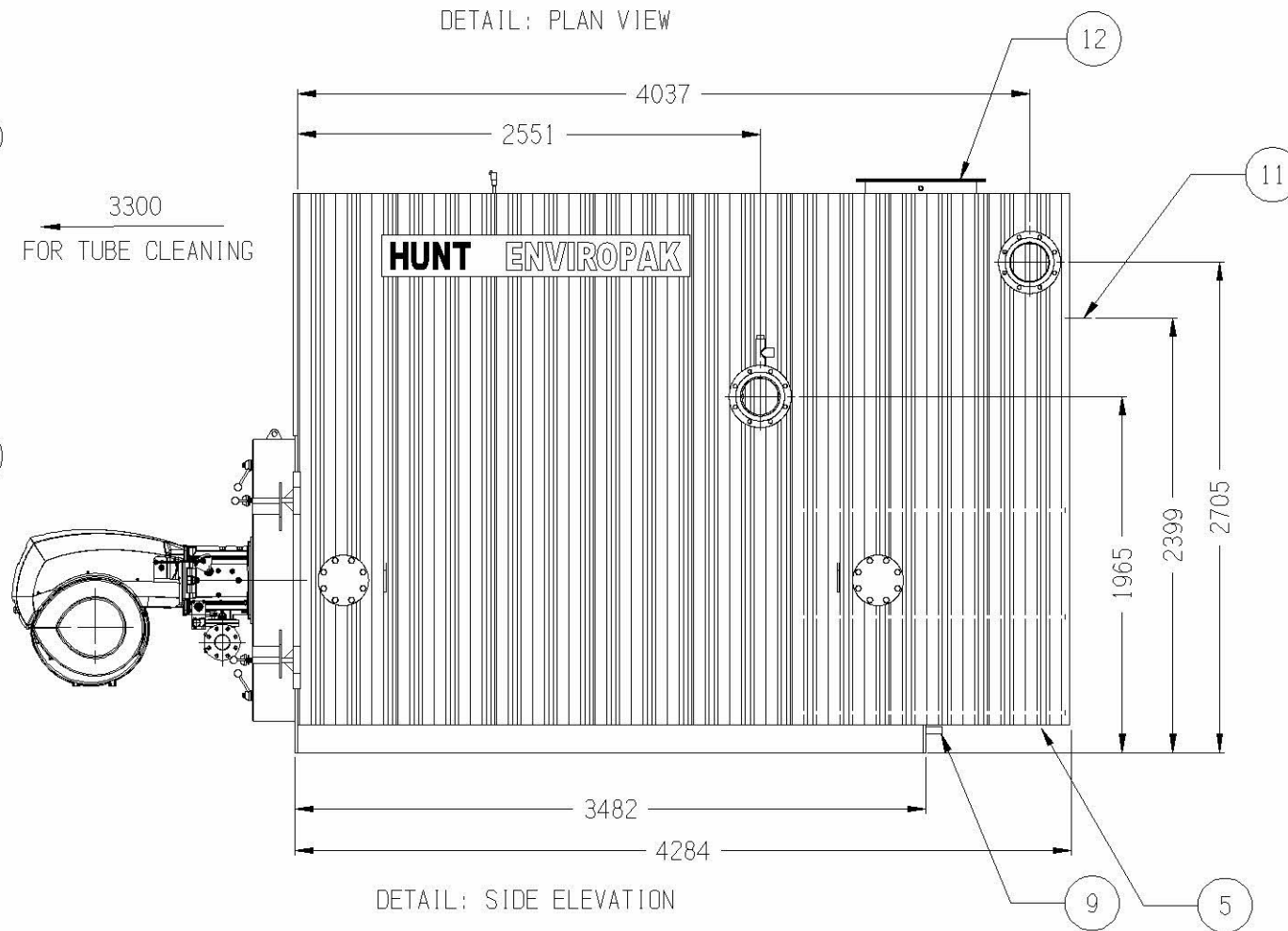


DETAIL: PLAN VIEW



DETAIL: FRONT ELEVATION

3300
FOR TUBE CLEANING



DETAIL: SIDE ELEVATION

IN THE INTEREST OF CONTINUOUS IMPROVEMENT HUNT BOILERS RESERVES THE RIGHT TO CHANGE THE SPECIFICATIONS OF IT'S PRODUCTS WITHOUT PRIOR NOTICE.



SPECIFICATIONS:

HUNT ENVIROPAK SERIES
HOT WATER CONDENSING BOILER
MODEL: H-ENV-2500 (2500kW)
DESIGN REFERENCE: AS1210-2010
CLASS: 3

DESIGNATION NUMBER: AS1210-3
OUTPUT CAPACITY: 2500 kW
MAX. OPERATING TEMPERATURE: 99°C
MAX. OPERATING PRESSURE: 570 kPa
DESIGN PRESSURE: 600 kPa
TEST PRESSURE: 936 kPa
INPUT: * 10319 MEGAJOULES/hr
OUTPUT: 9000 MEGAJOULES/hr
WATER CONTENT: 2975 LITRES
DRY WEIGHT: 6400 kg

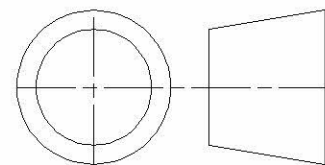
HAZARD LEVEL TO AS4343-2005	
OPEN VENTED	"E"
>65°C <90°C	"C"
≥90°C <100°C	"B"

WATER FLOW RATE kg/sec	ΔT10°C	
	61.03	86.59
WATER PRESSURE DROP kPa	ΔT15°C	
	40.74	40.55
	ΔT20°C	
	30.59	23.34

* = BASED ON 65°C WATER INLET TO 80°C WATER OUTLET

ITEM	DESCRIPTION	TYPE	STYLE	SIZE	QTY
13	THERMOSTAT		-		2
12	ROUND FLUE CONNECTION	FLANGED	-	610 IDmm	1
11	RECOVERY CONDENSATE	STUB	BSP	50mm	1
10	INSPECTION OPENINGS	FLANGE	TABLE 'E'	150NB	2
9	DRAIN CONNECTION	STUB	BSP	25NB	1
8	LOW LEVEL PROBE CON-Optional	STUB	BSP	32NB	1
7	TEMPERATURE GAUGE	BIMETAL	0-150°C		1
6	PRESSURE GAUGE	BOURDON	0-1000kPa		1
5	HEATER CONDENSATE	STUB	BSP	25NB	1
4	RETURN CONNECTION	FLANGE	ANSI 150	200NB	1
3	FLOW CONNECTION	FLANGE	ANSI 150	200NB	1
2	SAFETY VALVE	BRONZE	FULL LIFT	32NB	2
1	BURNER	FORCED DRAFT	GUN		1

REV	REVISION NOTE	DATE	CKD
B	RIELLO BURNER ADDED	26/07/12	DA
A	ORIGINAL ISSUE	03/02/09	



THIRD ANGLE PROJECTION

HUNT BOILERS
A Division of Forbes (Aust) Pty Ltd

THIS DRAWING WAS PREPARED BY HUNT BOILERS. THE INFORMATION IT CONTAINS IS CONFIDENTIAL AND MUST NOT BE USED, DISCLOSED OR REPRODUCED WITHOUT WRITTEN AUTHORITY.

ALL DIMENSIONS IN MILLIMETERS	DRAWN: P.C.H.	DESCRIPTION: H-ENV-2500 (2500KW) HOT WATER CONDENSING BOILER GENERAL ARRANGEMENT DESIGN REG: SD-20101486-1
DO NOT SCALE THIS DRAWING	DATE: 03/02/09	DRAWING No: H-ENV-2500-GA
COMPUTER AIDED DRAFT	CHECKED: DA	A3