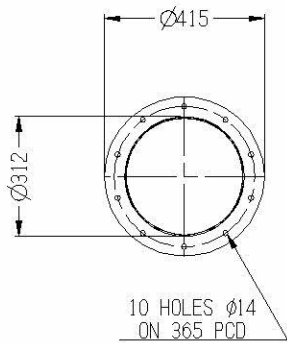
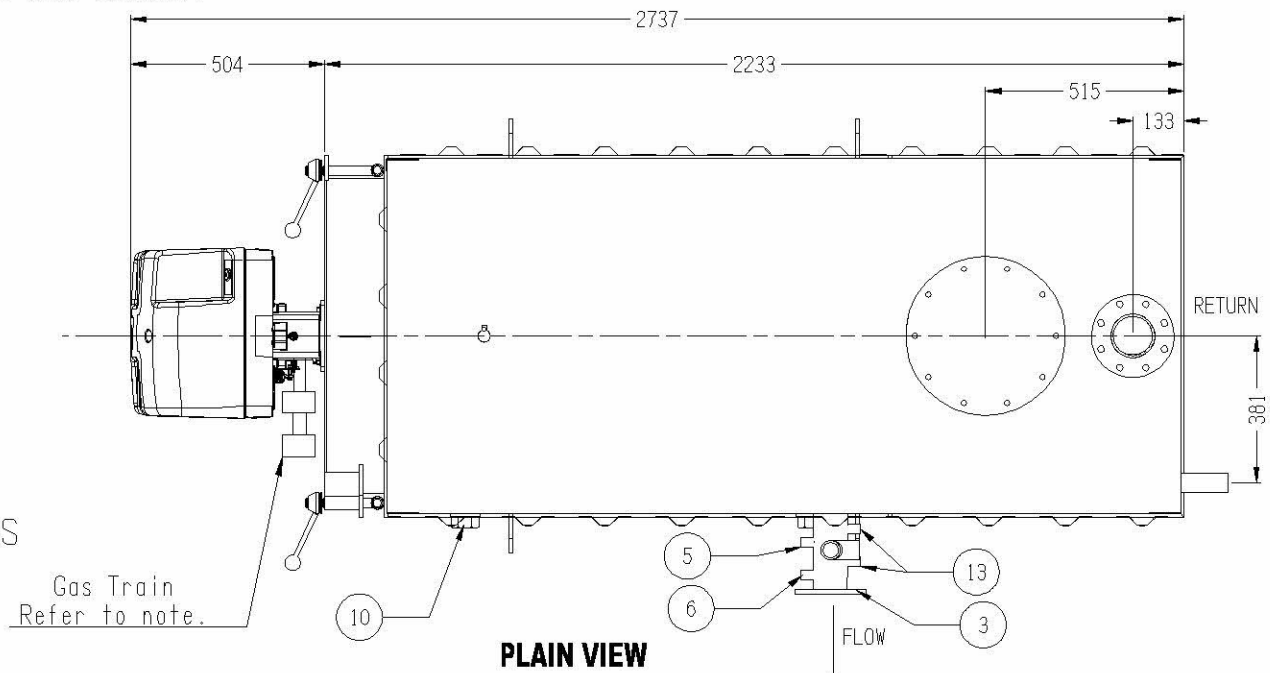


THE CONFIGURATION AND DIMENSIONS OF THE BURNER GAS TRAIN CAN VARY DEPENDING ON GAS SUPPLY PRESSURE AND SITE SPECIFICATIONS.
HUNT BOILERS CAN PROVIDE GAS TRAIN CONFIGURATION AND DIMENSION ON RECEIPT OF THE DESIGN CRITERIA FOR YOUR PROJECT.

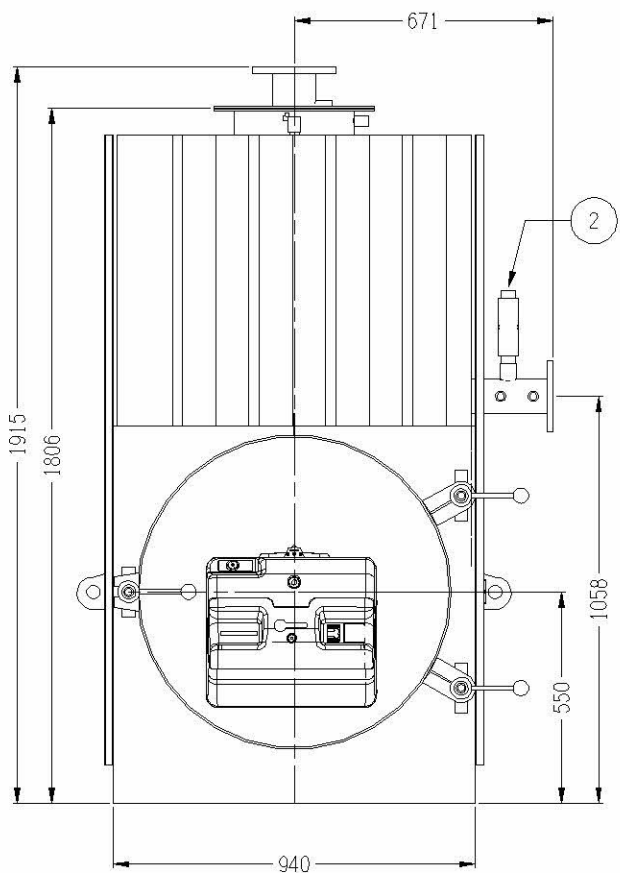


FLUE FLANGE DETAIL

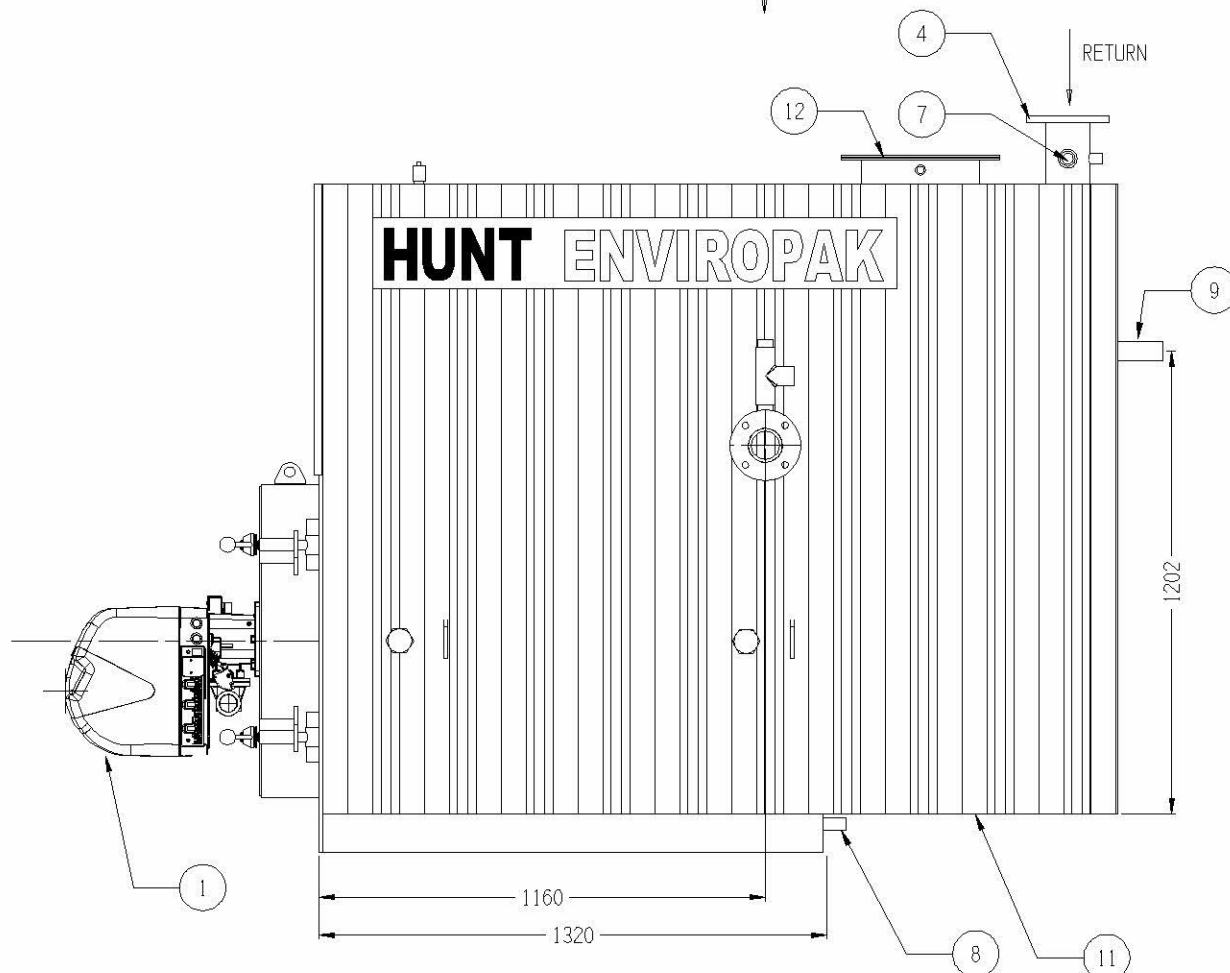
NOTE:
NO VERTICAL LOADS PERMITTED.
ALL VERTICAL LOADS MUST BE SELF SUPPORTING
NO LOW LEVEL PROBE IS FITTED AS STANDARD.



PLAIN VIEW



FRONT ELEVATION



SIDE ELEVATION

IN THE INTEREST OF CONTINUOUS IMPROVEMENT HUNT BOILERS RESERVES THE RIGHT TO CHANGE THE SPECIFICATIONS OF ITS PRODUCTS WITHOUT PRIOR NOTICE.

SPECIFICATIONS:

HUNT ENVIROPAK
HOT WATER CONDENSING BOILER
MODEL: H-ENV-300 (300KW)
DESIGN REFERENCE: AS1210-2010
CLASS: 3

DESIGNATION NUMBER: AS1210-3
OUTPUT CAPACITY: 300 kW
MAX. OPERATING TEMPERATURE: 99°C
MAX. OPERATING PRESSURE: 570 kPa
DESIGN PRESSURE: 600 kPa
TEST PRESSURE: 936 kPa
INPUT: * 1238 MEGAJOULES/hr
OUTPUT: 1080 MEGAJOULES/hr
WATER CONTENT: 500 LITRES
DRY WEIGHT: 1220 kg



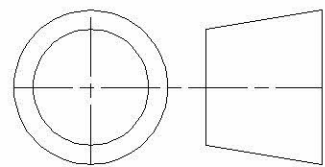
HAZARD LEVEL TO AS4343-2005	
OPEN VENTED	"E"
>65°C <90°C	"E"
≥90°C <100°C	"C"

WATER FLOW RATE Kg/sec	ΔT10°C	7.32	*
		4.90	
WATER PRESSURE DROP kPa	ΔT15°C	4.89	*
		2.70	
	ΔT20°C	3.67	
		1.37	

* = BASED ON 65°C WATER INLET TO 80°C WATER OUTLET

ITEM	DESCRIPTION	TYPE	STYLE	SIZE	QTY.
13	THERMOSTAT				2
12	FLUE CONNECTION	FLANGE	SEE DETAIL	312 ID	1
11	HEATER CONDENSATE DRAIN	STUB	BSP	20NB	1
10	INSPECTION OPENINGS	SOCKET	BSP	50NB	2
9	RECOVERY CONDENSATE DRAIN	STUB	-	50mm	1
8	HEATER DRAIN	STUB	BSP	20NB	1
7	LOW LEVEL PROBE CON.(Optional-Not Standard)	STUB	BSP	32NB	1
6	TEMPERATURE GAUGE	BIMETAL	0-150°C		1
5	PRESSURE GAUGE	BOURDON	0-1000 kPa		1
4	RETURN CONNECTION	FLANGE	ANSI 150	100NB	1
3	FLOW CONNECTION	FLANGE	ANSI 150	80NB	1
2	SAFETY VALVE	BRONZE	FULL LIFT	25NB	1
1	BURNER	FORCED DRAFT	GUN		1

REV	REVISION NOTE	DATE	CKD
B	Riello burner added	12/03/12	DA
A	ORIGINAL ISSUE	02/09/08	



THIRD ANGLE PROJECTION

HUNT BOILERS
A Division of Forbes (Aust) Pty Ltd

THIS DRAWING WAS PREPARED BY HUNT BOILERS. THE INFORMATION IT CONTAINS IS CONFIDENTIAL AND MUST NOT BE USED, DISCLOSED OR REPRODUCED WITHOUT WRITTEN AUTHORITY.

AUSTRALIAN MADE = AUSTRALIAN JOBS

ALL DIMENSIONS IN MILLIMETERS	DO NOT SCALE THIS DRAWING	COMPUTER AIDED DRAFT	DRAWN: P.C.H.	DATE: 02/09/08	CHECKED: DA	DESCRIPTION: HUNT ENVIROPAK 300 (300KW) HOT WATER CONDENSING BOILER DESIGN REG. #SD20050229-1	DRAWING No: H-ENV-300-GA	A4
-------------------------------	---------------------------	----------------------	---------------	----------------	-------------	-----------------------------------------------------------------------------------------------	--------------------------	-----------