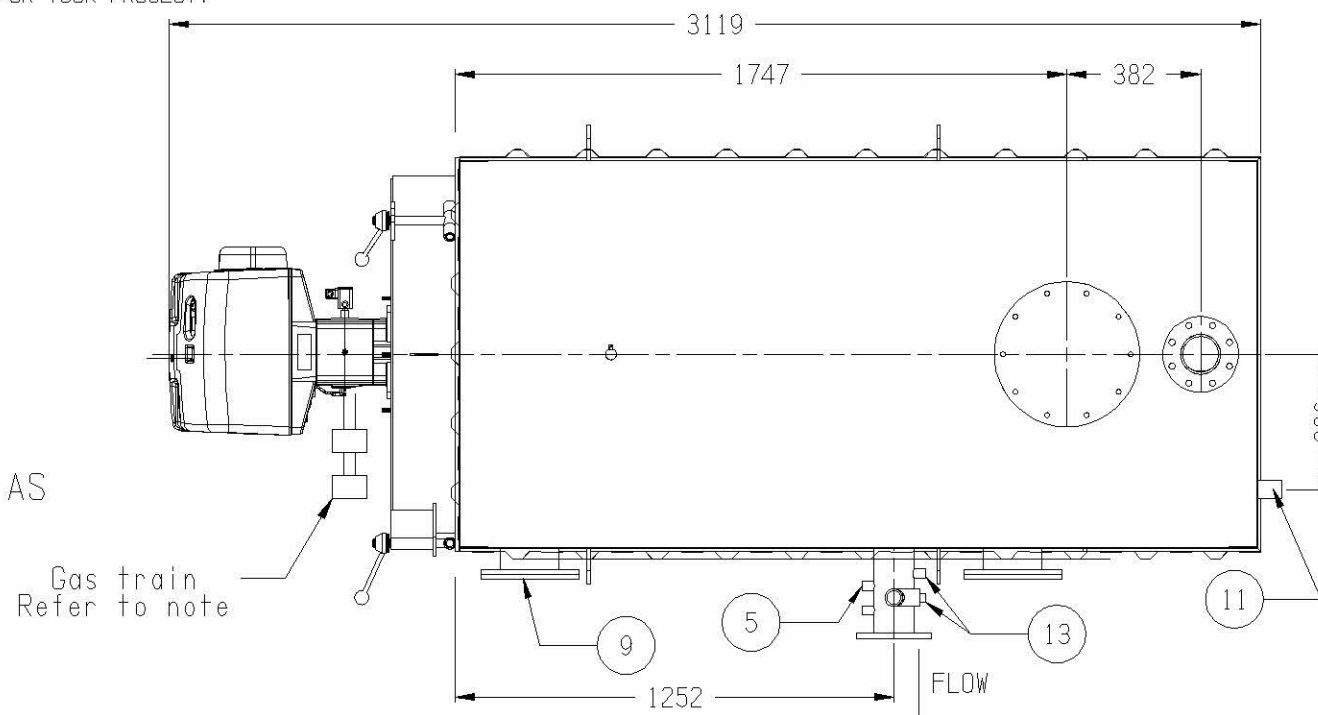
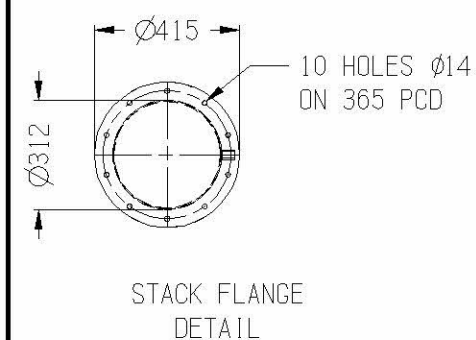
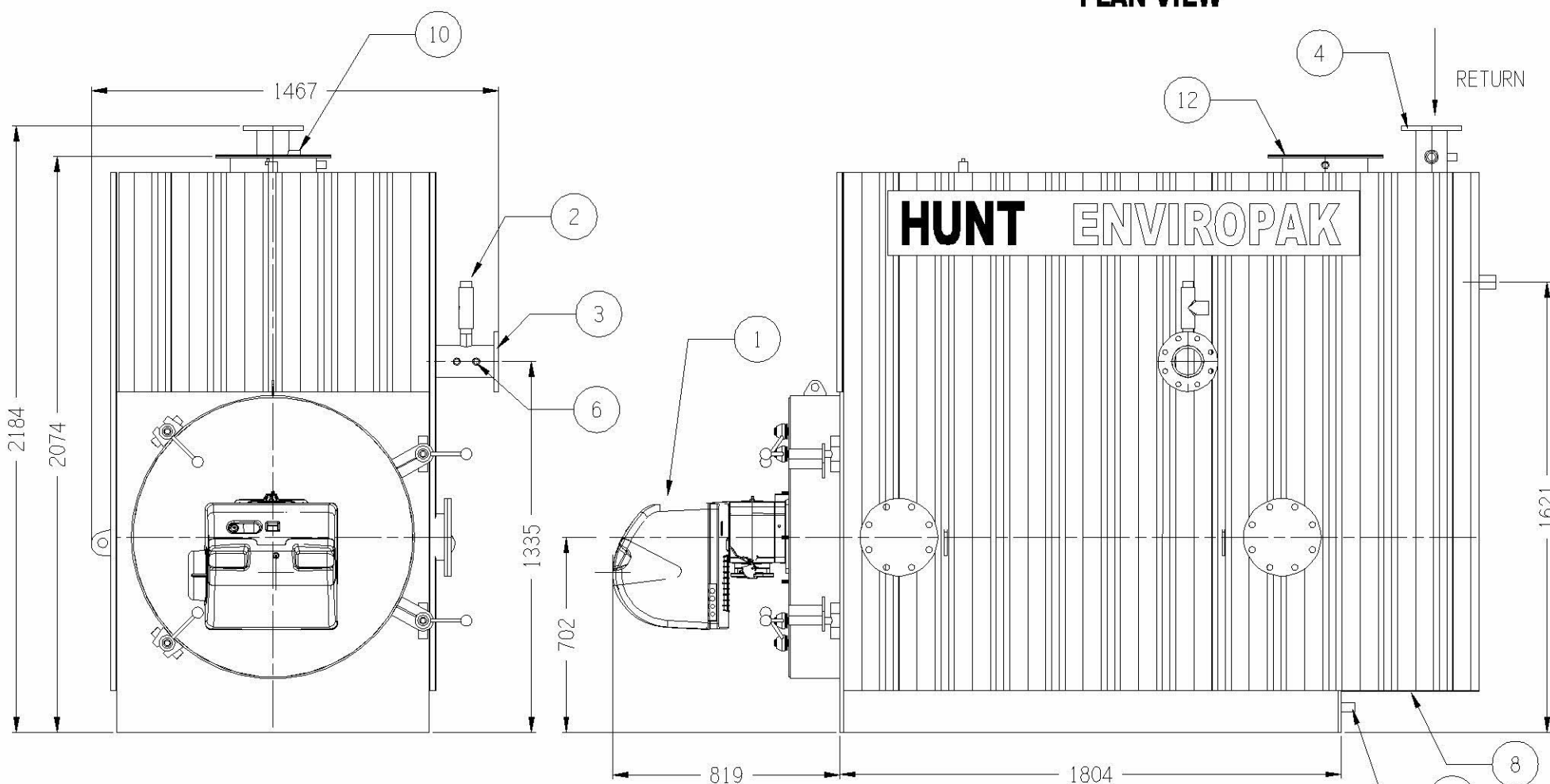




THE CONFIGURATION AND DIMENSIONS OF THE BURNER GAS TRAIN CAN VARY DEPENDING ON GAS SUPPLY PRESSURE AND SITE SPECIFICATIONS. HUNT BOILERS CAN PROVIDE GAS TRAIN CONFIGURATION AND DIMENSION ON RECEIPT OF THE DESIGN CRITERIA FOR YOUR PROJECT.



PLAN VIEW



FRONT VIEW

SIDE VIEW

IN THE INTEREST OF CONTINUOUS IMPROVEMENT HUNT BOILERS RESERVES THE RIGHT TO CHANGE THE SPECIFICATIONS OF THIS PRODUCT WITHOUT PRIOR NOTICE.

SPECIFICATIONS:

HUNT ENVIROPAK
HOT WATER CONDENSING BOILER
MODEL: H-ENV-500 (500 kW)
DESIGN REFERENCE: AS1210-2010
CLASS: 3

DESIGNATION NUMBER: AS1210-3
OUTPUT CAPACITY: 500kW
MAX. OPERATING TEMPERATURE: 99°C
MAX. OPERATING PRESSURE: 570 kPa
DESIGN PRESSURE: 600 kPa
TEST PRESSURE: 936 kPa
INPUT: * 2063 MEGAJOULES/hr
OUTPUT: 1800 MEGAJOULES/hr
WATER CONTENT: 850 LITRES
DRY WEIGHT: 1890 kg

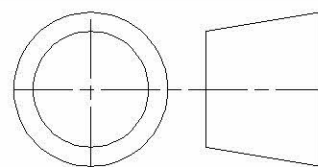
HAZARD LEVEL TO AS4343-2005	
OPEN VENTED	"E"
>65°C<90°C	"E"
≥90°C<100°C	"C"

WATER FLOW RATE Kg/sec	ΔT10°C	12.21
	ΔT15°C	8.00
WATER PRESSURE DROP kPa	ΔT15°C	8.15 *
	ΔT20°C	4.00
	ΔT20°C	6.11
		2.50

* = BASED ON 65°C WATER INLET TO 80°C WATER OUTLET

ITEM	DESCRIPTION	TYPE	STYLE	SIZE	QTY
13	THERMOSTAT				2
12	FLUE CONNECTION	FLANGE	SEE DETAIL	312ID	1
11	RECOVERY CONDENSATE DRAIN	STUB	-	50mm	1
10	LOW LEVEL PROBE-Optional	SOCKET	BSP	32NB	1
9	INSPECTION OPENING	FLANGE	T/E	150NB	1
8	HEATER CONDENSATE DRAIN	STUB	BSP	20NB	1
7	DRAIN CONNECTION	STUB	BSP	25NB	1
6	TEMPERATURE GAUGE	BIMETAL	-		1
5	PRESSURE GAUGE	BOURDON	-		1
4	RETURN CONNECTION	FLANGE	ANSI 150	100NB	1
3	FLOW CONNECTION	FLANGE	ANSI 150	100NB	1
2	SAFETY VALVE	BRONZE	FULL LIFT	25NB	1
1	BURNER	FORCE DRAFT	GUN		1

REV	REVISION NOTE	DATE	CKD
B	RIELLO BURNER ADDED	14/03/12	DA
A	ORIGINAL ISSUE	16/10/08	



THIRD ANGLE PROJECTION

HUNT BOILERS
A Division of Forbes (Aust) Pty Ltd

THIS DRAWING WAS PREPARED BY HUNT BOILERS. THE INFORMATION IT CONTAINS IS CONFIDENTIAL AND MUST NOT BE USED, DISCLOSED OR REPRODUCED WITHOUT WRITTEN AUTHORITY.

AUSTRALIAN MADE = AUSTRALIAN JOBS

ALL DIMENSIONS IN MILLIMETERS	DRAWN: P.C.H.	DESCRIPTION: HUNT ENVIROPAK 500 (500 kW) HOT WATER CONDENSING BOILER DESIGN REG: SD2005228-1
DO NOT SCALE THIS DRAWING	DATE: 16/10/08	
COMPUTER AIDED DRAFT	CHECKED: DA	DRAWING No: H-ENV-500-GA