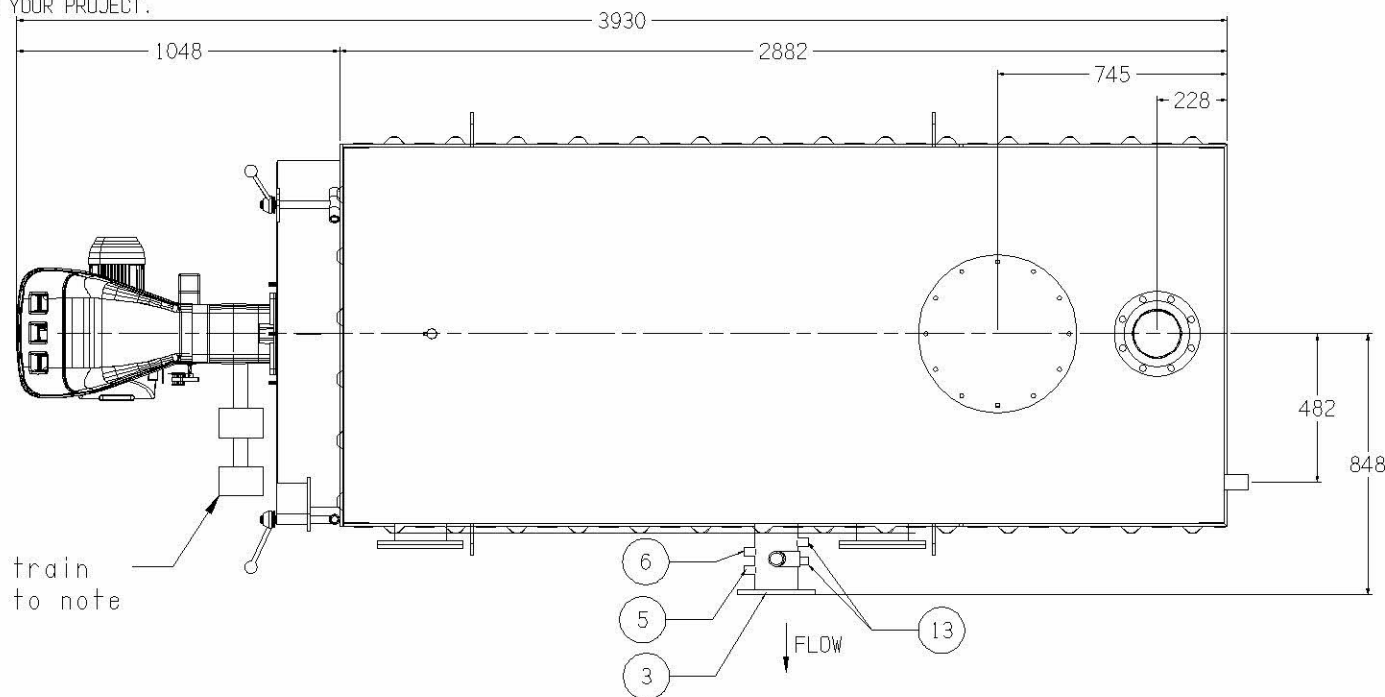


FLUE FLANGE DETAIL

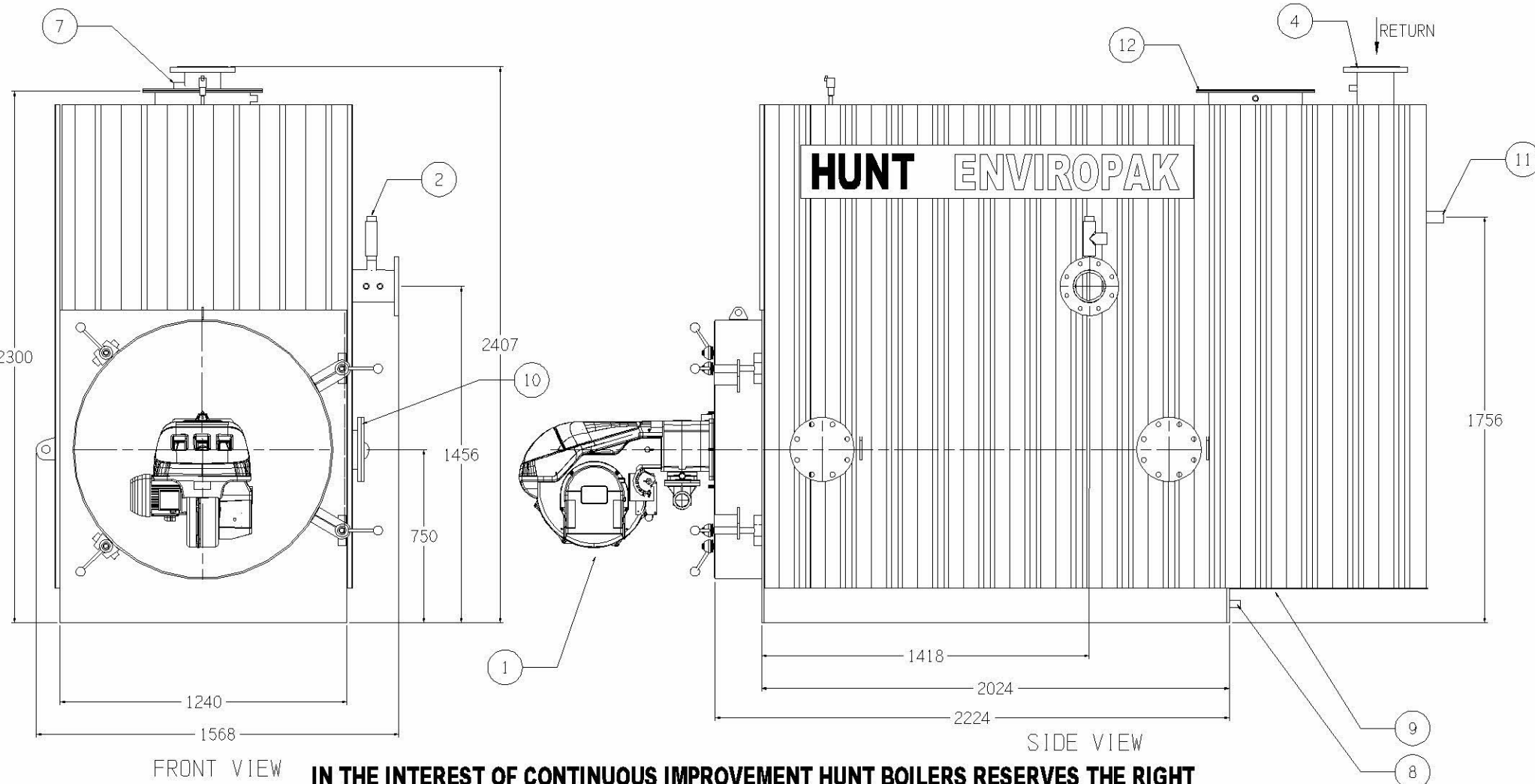
THE CONFIGURATION AND DIMENSIONS OF THE BURNER GAS TRAIN CAN VARY DEPENDING ON GAS SUPPLY PRESSURE AND SITE SPECIFICATIONS. HUNT BOILERS CAN PROVIDE GAS TRAIN CONFIGURATION AND DIMENSION ON RECEIPT OF THE DESIGN CRITERIA FOR YOUR PROJECT.



TOP VIEW

Gas train
Refer to note

NOTE:
NO VERTICAL LOADS PERMITTED
ALL FLUES MUST BE SELF SUPPORTING
NO LOW LEVEL PROBE IS FITTED AS STANDARD.



FRONT VIEW

SIDE VIEW

IN THE INTEREST OF CONTINUOUS IMPROVEMENT HUNT BOILERS RESERVES THE RIGHT TO CHANGE THE SPECIFICATIONS OF IT'S PRODUCTS WITHOUT PRIOR NOTICE.

SPECIFICATIONS:

HUNT ENVIROPAK SERIES
HOT WATER CONDENSING BOILER
MODEL: H-ENV-700 (700KW)
DESIGN REFERENCE: AS1210-2010
CLASS: 3

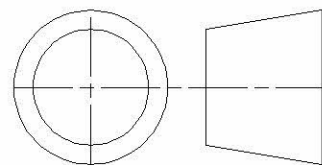
DEIGNATION NUMBER: AS1210-3
OUTPUT CAPACITY: 700 kW
MAX. OPERATING TEMPERATURE: 99°C
MAX. OPERATING PRESSURE: 540 kPa
DESIGN PRESSURE: 570 kPa
TEST PRESSURE: 855 kPa
INPUT: * 2889 MEGAJOULES/hr
OUTPUT: 2520 MEGAJOULES/hr
WATER CONTENT: 1200 LITRES
DRY WEIGHT: 2550 kg

HAZARD LEVEL TO AS4343-2005	
OPEN VENTED	"E"
>65°C <90°C	"D"
≥90°C <100°C	"C"

WATER FLOW RATE Kg/sec	ΔT10°C	17.09
		9.4
WATER PRESSURE DROP kPa	ΔT15°C	11.40
	ΔT20°C	4.74
		8.55
		2.6

* = BASED ON 65°C WATER INLET TO 80° WATER OUTLET

ITEM	DESCRIPTION	TYPE	STYLE	SIZE	QTY
13	THERMOSTAT				2
12	FLUE CONNECTION	FLANGE	SEE DETAIL	410 ID	1
11	RECOVERY CONDENSATE	STUB	-	50mm	1
10	INSPECTION OPENINGS	FLANGE	TABLE "E"	150NB	2
9	HEATER CONDENSATE	STUB	BSP	25NB	1
8	DRAIN CONNECTION	STUB	BSP	25NB	1
7	LOW LEVEL PROBE CON-Optional	STUB	BSP	32NB	1
6	TEMPERATURE GAUGE	BIMETAL	0-150°C		1
5	PRESSURE GAUGE	BOURDON	0-1000kPa		1
4	RETURN CONNECTION	FLANGE	ANSI 150	150NB	1
3	FLOW CONNECTION	FLANGE	ANSI 150	150NB	1
2	SAFETY VALVE	BRONZE	FULL LIFT	25NB	1
1	BURNER	FORCED DRAFT	GUN		1



THIRD ANGLE PROJECTION

HUNT BOILERS
A Division of Forbes (Aust) Pty Ltd

THIS DRAWING WAS PREPARED BY HUNT BOILERS. THE INFORMATION IT CONTAINS IS CONFIDENTIAL AND MUST NOT BE USED, DISCLOSED OR REPRODUCED WITHOUT WRITTEN AUTHORITY.

AUSTRALIAN MADE = AUSTRALIAN JOBS

ALL DIMENSIONS IN MILLIMETERS

DO NOT SCALE THIS DRAWING

COMPUTER AIDED DRAFT

DRAWN: P.C.H.

DATE: 07/11/08

CHECKED: DA

DESCRIPTION:
HUNT ENVIROPAK 700 (700KW)
HOT WATER CONDENSING BOILER
DESIGN REG. SD 05066-1

DRAWING No: H-ENV-700-GA

A3

REV	REVISION NOTE	DATE	CKD
B	RIELLO BURNER ADDED	14/03/12	DA
A	ORIGINAL ISSUE	07/11/08	