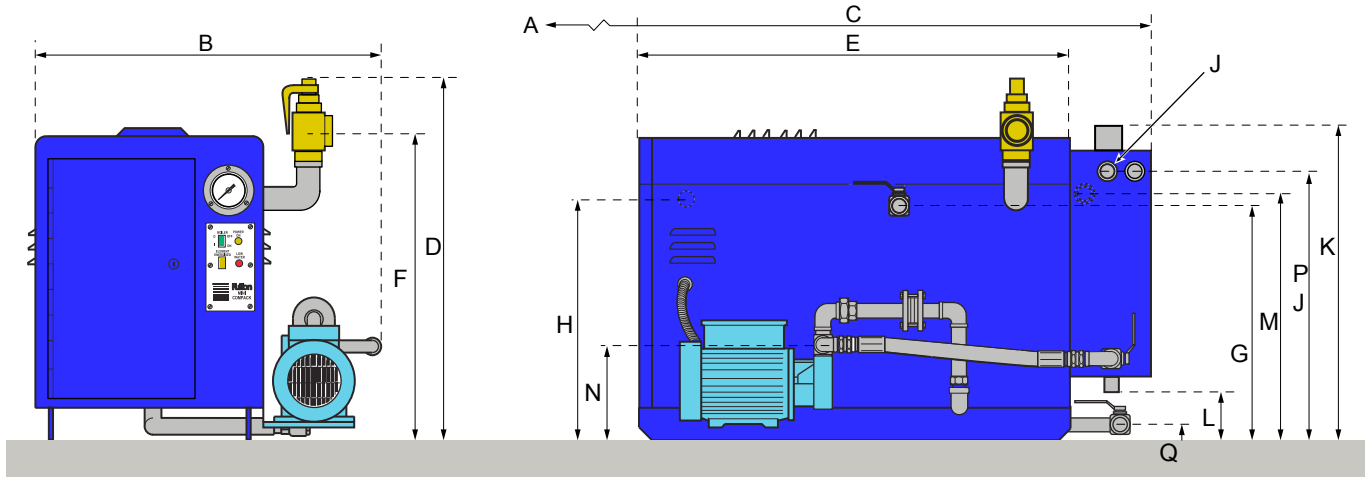


Midi Compact Dimensions & Specification

Dimensions



MODEL: MIDI COMPACT		24, 36, 48
A	Minimum Clearance*	500
B	Overall Width	760
C	Overall Depth	1030
D	Overall Height	820
E	Boiler Depth	780
F	Safety Valve Discharge Height	640
G	Steam Outlet Height	580
H	Electrical Supply Inlet Height	465
J	Feedwater Inlet Height	560
K	Feedwater Tank Vent	630
L	Feedwater Tank Drain	90
M	Feedwater Tank Overflow	520
N	Pump Feed Inlet Height	155
P	Condensate Return Height	555
Q	Main Boiler Blowdown Height	60

* Required in front of the boiler for maintenance and element removal.

Note: Dimensions mm

Note: Dimensions are approximate and only intended as a guide to aid installation.

MODEL: MIDI COMPACT	UNIT	24	36	48
Designed and manufactured to BS EN 13445:2009 and PED 2014/68/EU for operating pressure 150 psi (10.34 barg).				
General				
Steam Output F & A 100 °C	kg/h	38	57	77
kW Rating	kW	24	36	48
Operating Pressure	barg	10.34	10.34	10.34
Number of Elements		2	2	2
Weight				
Shipping Weight	kg	180	180	180
Operational Weight	kg	270	270	270
Water Content	L	40	40	40
Feed Tank Volume	L	50	50	50
Electrical Requirements				
FLC 400 V 3 ph 50 Hz**	A/ph	39	57	74
FLC 230 V 1 ph 50 Hz***	A	111	163	215
Connection Sizes All threads BSP				
Steam Outlet	DN	20	20	20
Condensate Return	DN	15	15	15
Safety Valve Discharge	DN	25	25	25
Feedwater Inlet	DN	20	20	20
Feedwater Pump Inlet	DN	20	20	20
Blowdown, Boiler	DN	15	15	15
Tank Drain	DN	15	15	15
Tank Overflow	DN	25	25	25
Tank Vent	DN	25	25	25

** 5 A/ph for feedwater pump & standard control circuit, included.

*** 6.5 A for feedwater pump & standard control circuit, included.

Note: Isolator, mains contactor and fusing not included.

Note: Not suitable for condensate return-cold water make-up only.

Note: Electrical enclosures are rated IP20