

Industrial/Commercial Division  
Fulton Thermal Corporation

## Product Data Submittal Model FT-0600-C



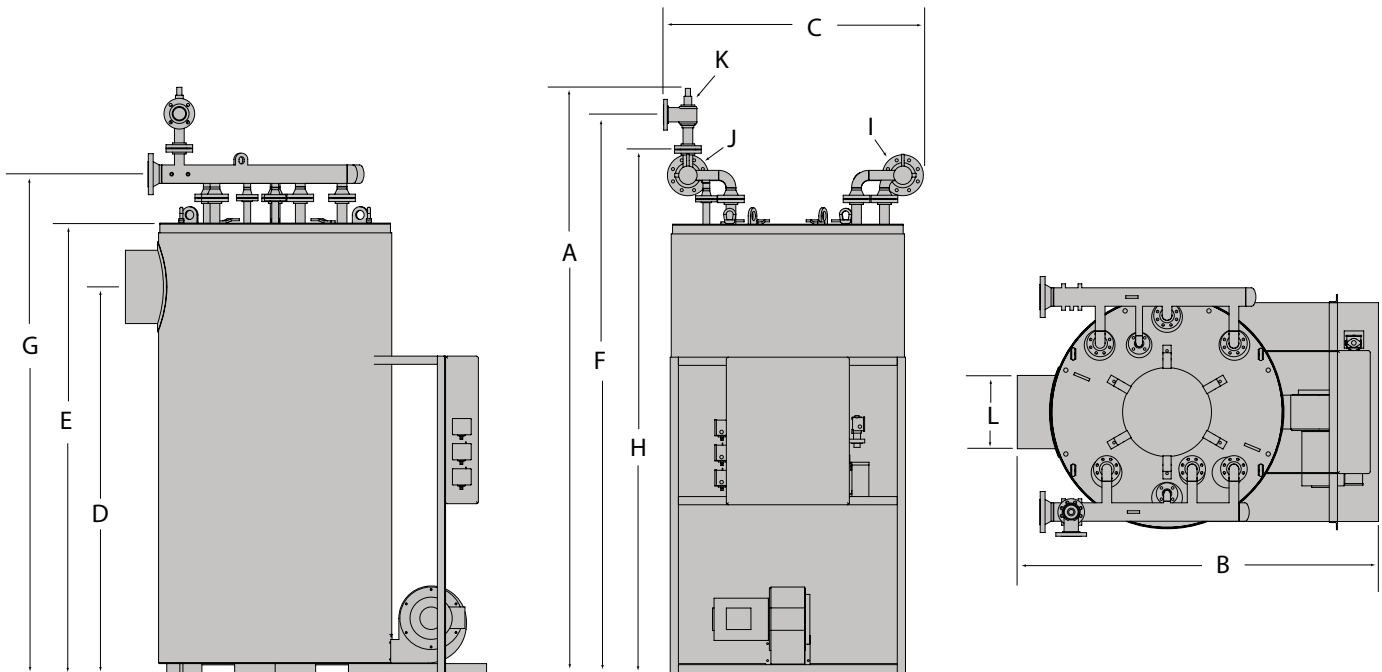
## Fulton Coil Design Thermal Fluid Heater (Australia)

### Dimensions and Specifications

A. Heater Height	IN	143.6
	MM	3648
B. Heater Depth	IN	88.1
	MM	2237
C. Heater Width	IN	63.4
	MM	1252
D. Height to Center of Flue	IN	94.9
	MM	2410
E. Height to Top of Vessel	IN	110.4
	MM	2805
F. Height to Safety Valve Outlet	IN	137.1
	MM	3483
G. Height to Heater Inlet/Outlet	IN	122.4
	MM	3108
H. Height to Safety Relief Valve Inlet	IN	128.6
	MM	3267
I. Heater Inlet	IN	4
	MM	102
J. Heater Outlet	IN	4
	MM	102
K. Safety Relief Valve Outlet	IN	3
	MM	76
L. Flue Diameter	IN	18
	MM	457

Heat Output	BTU/Hr.	6,000,000
	KW.	1757
Fuel Input	No. 2 Oil (U.S.)GPH	53
	LPH	201
Gas Pressure Required	Natural Gas FT <sup>3</sup> /Hr	7498
	Natural Gas M <sup>3</sup> /Hr	212.3
Recommended Circulation Rate	IN W.C.	40
	kPa	9.94
Pressure Drop Across Heater at Recommended Circulation Rate	(U.S.)GPM	375
	Litres/Hr.	85,171
Burner Motor	HP	7.5
	KW	5.6
Circulating Pump Motor	HP	30
	KW	14.9
Heater Fluid Content	(U.S.)Gallons	132
	Litres	498
Heater Dry Weight	LB	8250
	KG	3750

Specifications and Dimensions are approximate and for reference only.  
We reserve the right to change specifications and/or dimensions.  
Operating specifications may change based on field conditions.



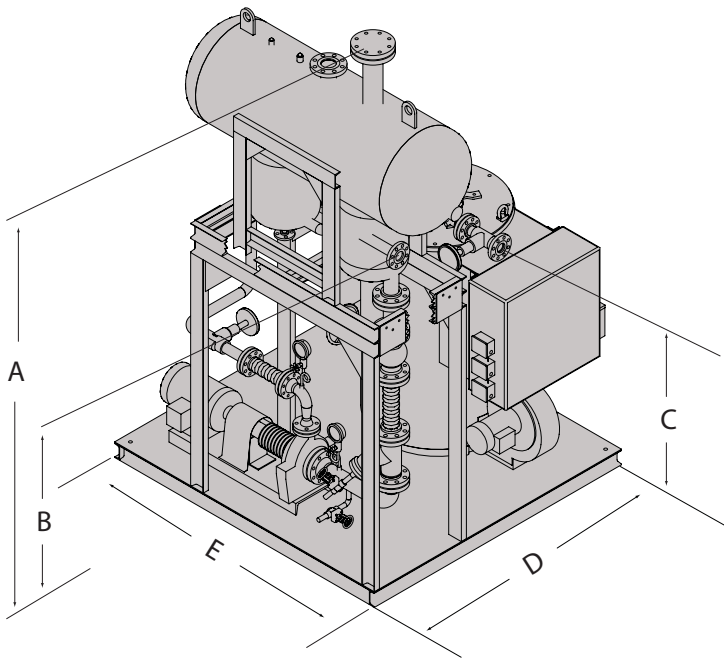
# Specifications

## Completely Skid Mounted Units (Heater, Pump and Tank)

Completely skid mounted units come equipped with:

- A. Pipework between Deaerator Tank outlet and Pump Suction including:
  1. Valve
  2. Flexible Connector
  3. Y-Type Strainer
- B. Pipework between Pump discharge and Heater inlet including:
  1. Flexible Connector
  2. Valve

Note: unit will be disassembled for shipping



Drawings are for reference only. Details vary with model. Specifications subject to change without notice.

## Dimensions Model FT-0600-C

Heater Model	Tank Model	Highest Elevation A	Tank Inlet B	Heater Outlet C	Width D	Depth E
FT-0600-C	FT-500-L	165in. 4191mm	117in. 2972mm	126.5in. 3213mm	98in. 2489mm	108in. 2743mm
FT-0600-C	FT-1000-L	186in. 4724mm	124in. 3150mm	126.5in. 3213mm	108in. 2743mm	108in. 2743mm
FT-0600-C	FT-1500-L	186in. 4724mm	124in. 3150mm	126.5in. 3213mm	108in. 2743mm	108in. 2743mm
FT-0600-C	FT-2000-L	204.5in. 5194mm	132in. 3234mm	126.5in. 3213mm	114in. 2895mm	108in. 2743mm
FT-0600-C	FT-3000-L	213.5in. 5423mm	141in. 3581mm	126.5in. 3213mm	114in. 2895mm	108in. 2743mm



Fulton Thermal Corporation.  
972 Centerville Road  
Pulaski, New York USA 13142  
Call 315-298-5121  
Fax 315-298-6390

AU-0600C PDS  
09/08  
Printed in USA

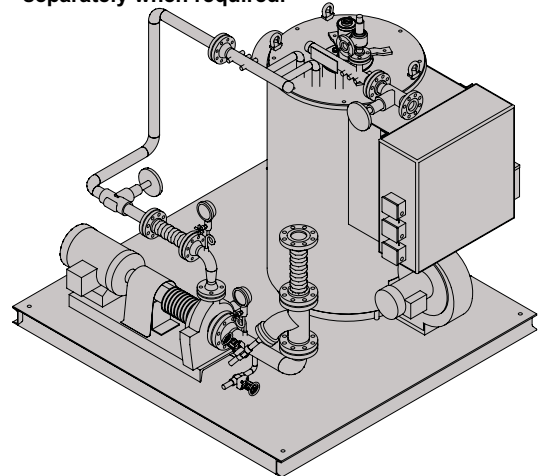
Fulton Australian Office.  
PO Box 1023, Baukhams Hills 1755  
Sydney, Australia  
Call (61) 2 9639 8909  
Fax (61) 2 9639 9304

## Skid Mounted Units (Heater and Pump)

Skidded units ordered without the Combination Tank come equipped with:

- A. Pipework on the suction side of pump
  1. Y-Type Strainer
  2. Flexible Connector
  3. Valve
- B. Pipework between Pump discharge and Heater inlet including:
  1. Flexible Connector
  2. Valve

Expansion tank is supplied separately when required.



## Non-Skid Mounted Units (Heater, Pump, and Tank Without Skid Mounting)

No piping components are supplied as standard. However, they are available as options - consult factory.

