

Industrial/Commercial Division
Fulton Thermal Corporation



**Fulton Coil Design
Thermal Fluid Heater
(Australia)**

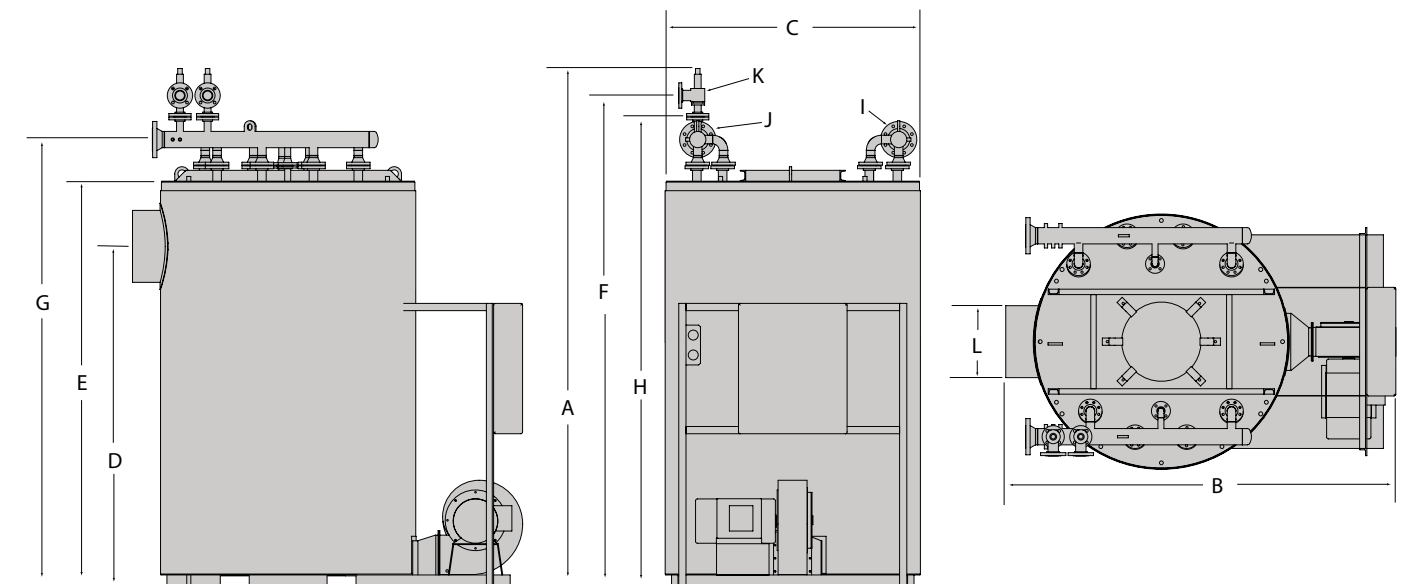
**Product Data Submittal
Model FT-0800-C**

Dimensions and Specifications

A. Heater Height	IN	143
	MM	3632
B. Heater Depth	IN	107.75
	MM	2736
C. Heater Width	IN	70.5
	MM	1791
D. Height to Center of Flue	IN	93.75
	MM	2381
E. Height to Top of Vessel	IN	111.75
	MM	2838
F. Height to Safety Valve Outlet (Qty 2)	IN	135.4
	MM	3440
G. Height to Heater Inlet/Outlet	IN	123.25
	MM	3131
H. Height to Safety Relief Valve Inlet (Qty 2)	IN	129.5
	MM	3289
I. Heater Inlet	IN	4
	MM	102
J. Heater Outlet	IN	4
	MM	102
K. Safety Relief Valve Outlet	IN	2.5
	MM	64
L. Flue Diameter	IN	20
	MM	508

Heat Output	BTU/Hr.	8,000,000
	KW.	2342
Fuel Input	No. 2 Oil (U.S.)GPH	69.3
	LPH	263.7
Gas Pressure Required	Natural Gas FT ³ /Hr	9997
	Natural Gas M ³ /Hr	283
Recommended Circulation Rate	IN W.C.	40
	kPa	9.94
Pressure Drop Across Heater at Recommended Circulation Rate	(U.S.)GPM	500
	Litres/Hr.	113,562
Burner Motor	PSID	26
	kPa	179
Circulating Pump Motor	HP	15
	KW	11.2
Heater Fluid Content	HP	40
	KW	29.5
Heater Dry Weight	(U.S.)Gallons	171
	Litres	648
	LB	11450
	KG	5200

Specifications and Dimensions are approximate and for reference only.
We reserve the right to change specifications and/or dimensions.
Operating specifications may change based on field conditions.



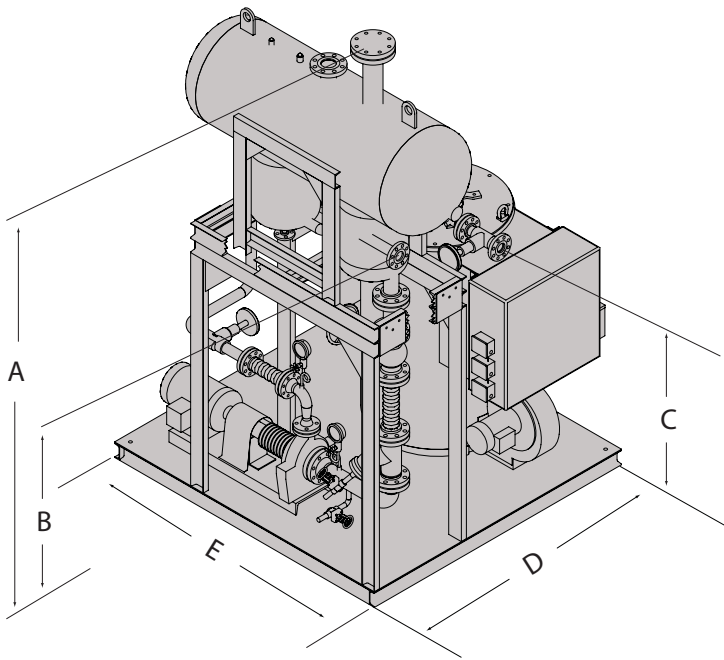
Specifications

Completely Skid Mounted Units (Heater, Pump and Tank)

Completely skid mounted units come equipped with:

- A. Pipework between Deaerator Tank outlet and Pump Suction including:
 1. Valve
 2. Flexible Connector
 3. Y-Type Strainer
- B. Pipework between Pump discharge and Heater inlet including:
 1. Flexible Connector
 2. Valve

Note: unit will be disassembled for shipping



Drawings are for reference only. Details vary with model. Specifications subject to change without notice.

Dimensions Model FT-0800-C

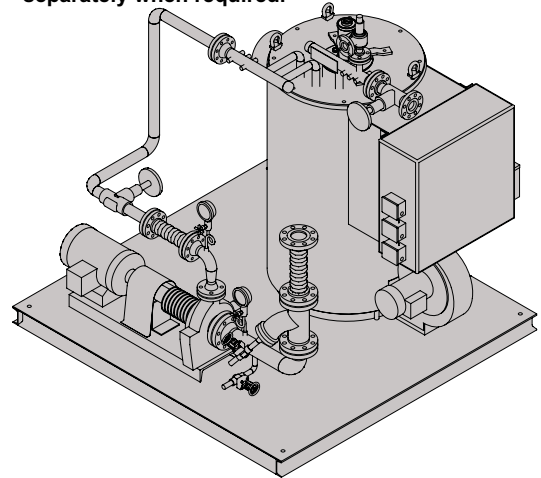
Heater Model	Tank Model	Highest Elevation A	Tank Inlet B	Heater Outlet C	Width D	Depth E
FT-0800-C	FT-1000-L	183in. 4648mm	121in. 3073mm	127.5in. 3238mm	124in. 3150mm	130in. 3302mm
FT-0800-C	FT-1500-L	183in. 4648mm	121in. 3073mm	127.5in. 3238mm	124in. 3150mm	130in. 3302mm
FT-0800-C	FT-2000-L	203in. 5156mm	130in. 3302mm	127.5in. 3238mm	130in. 3302mm	130in. 3302mm
FT-0800-C	FT-3000-L	210in. 5334mm	138in. 3505mm	127.5in. 3238mm	130in. 3302mm	130in. 3302mm

Skid Mounted Units (Heater and Pump)

Skidded units ordered without the Combination Tank come equipped with:

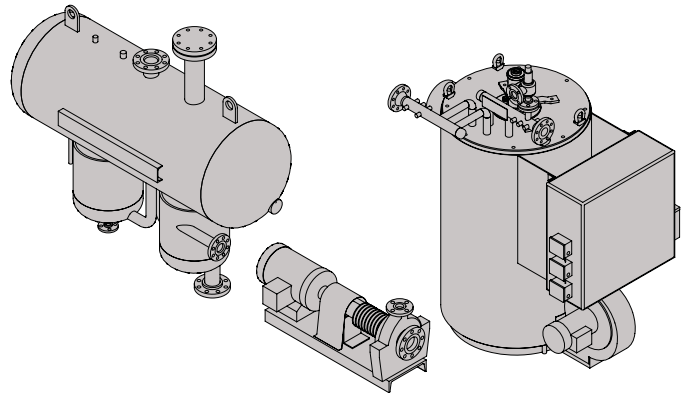
- A. Pipework on the suction side of pump
 1. Y-Type Strainer
 2. Flexible Connector
 3. Valve
- B. Pipework between Pump discharge and Heater inlet including:
 1. Flexible Connector
 2. Valve

Expansion tank is supplied separately when required.



Non-Skid Mounted Units (Heater, Pump, and Tank Without Skid Mounting)

No piping components are supplied as standard. However, they are available as options - consult factory.



Fulton Thermal Corporation.
972 Centerville Road
Pulaski, New York USA 13142
Call 315-298-5121
Fax 315-298-6390

AU-0800C PDS
09/08
Printed in USA

Fulton Australian Office.
PO Box 1023, Baukham Hills 1755
Sydney, Australia
Call (61) 2 9639 8909
Fax (61) 2 9639 9304