

Industrial/Commercial Division
Fulton Thermal Corporation

Product Data Submittal Model FT-0080-C



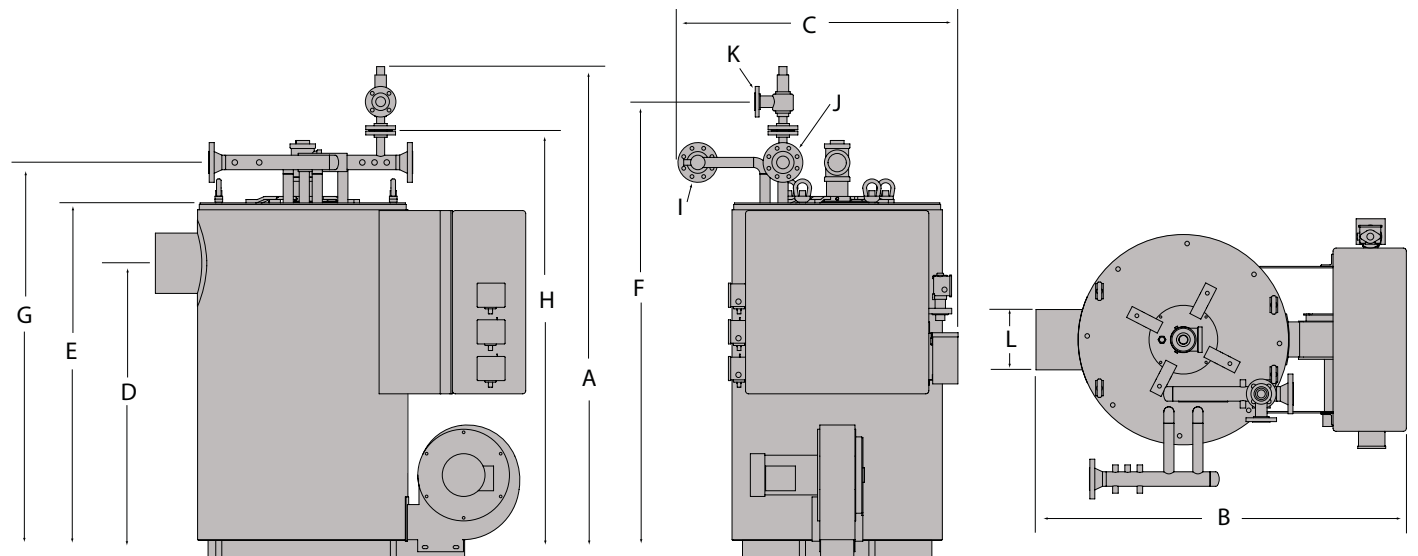
Fulton Coil Design Thermal Fluid Heater (Australia)

Dimensions and Specifications

A. Heater Height	IN	73.7
	MM	1872
B. Heater Depth	IN	46.2
	MM	1173
C. Heater Width	IN	31.6
	MM	803
D. Height to Center of Flue	IN	37
	MM	940
E. Height to Top of Vessel	IN	48.6
	MM	1235
F. Height to Safety Valve Outlet	IN	68.7
	MM	1745
G. Height to Heater Inlet/Outlet	IN	58.75
	MM	1492
H. Height to Safety Relief Valve Inlet	IN	63.9
	MM	1624
I. Heater Inlet	IN	1.25
	MM	32
J. Heater Outlet	IN	1.25
	MM	32
K. Safety Relief Valve Outlet	IN	1.25
	MM	32
L. Flue Diameter	IN	10
	MM	254

Heat Output	BTU/Hr.	800,000
	KW.	235
Fuel Input	No. 2 Oil (U.S.)GPH	7.1
	LPH	27
Natural Gas FT ³ /Hr		998
	Natural Gas M ³ /Hr	38.3
Gas Pressure Required	IN W.C.	14
	kPa	3.48
Recommended Circulation Rate	(U.S.)GPM	50
	Litres/Hr.	11,356
Pressure Drop Across Heater at Recommended Circulation Rate	PSID	25
	kPa	172
Burner Motor	HP	1.5
	KW	1.1
Circulating Pump Motor	HP	10
	KW	7.5
Heater Fluid Content	(U.S.)Gallons	10
	Litres	38
Heater Dry Weight	LB	1500
	KG	680

Specifications and Dimensions are approximate and for reference only.
We reserve the right to change specifications and/or dimensions.
Operating specifications may change based on field conditions.



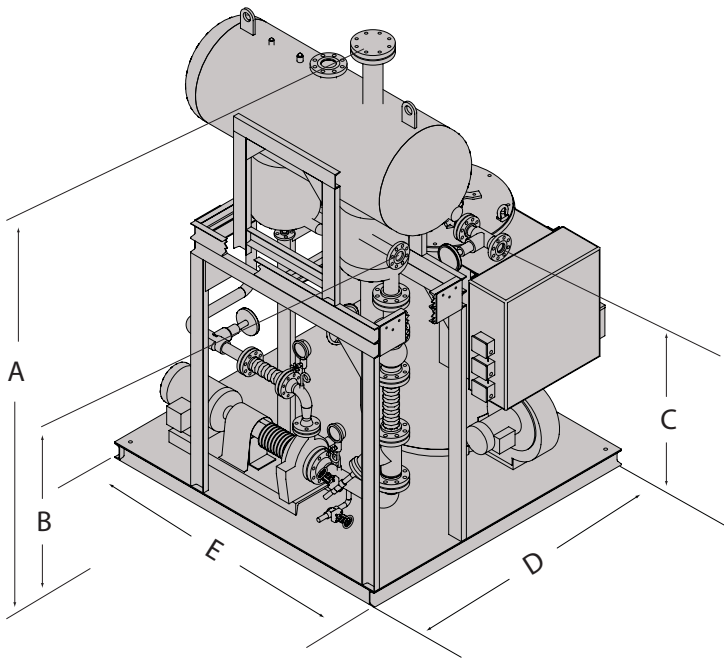
Specifications

Completely Skid Mounted Units (Heater, Pump and Tank)

Completely skid mounted units come equipped with:

- A. Pipework between Deaerator Tank outlet and Pump Suction including:
 1. Valve
 2. Flexible Connector
 3. Y-Type Strainer
- B. Pipework between Pump discharge and Heater inlet including:
 1. Flexible Connector
 2. Valve

Note: unit will be disassembled for shipping



Drawings are for reference only. Details vary with model. Specifications subject to change without notice.

Dimensions Model FT-0080-C

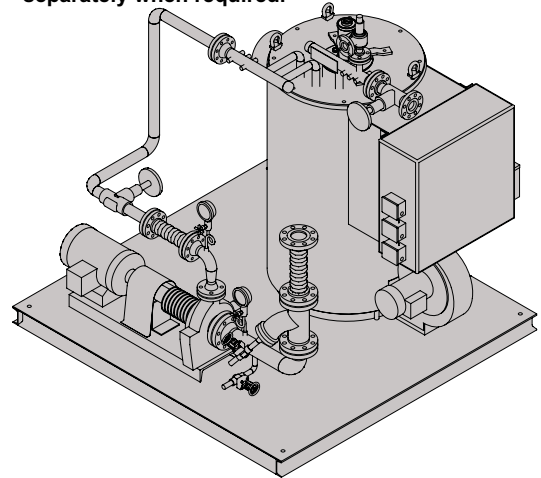
Heater Model	Tank Model	Highest Elevation A		Tank Inlet B		Heater Outlet C		Width D		Depth E	
FT-0080-C	FT-200-L	131in.	3327mm	89.5in.	2273mm	63in.	1600mm	60in.	1524mm	88 in.	2235mm
FT-0080-C	FT-500-L	131in.	3327mm	84in.	2134mm	63in.	1600mm	66in.	1676mm	88in.	2235mm
FT-0080-C	FT-1000-L	152in.	3860mm	91in.	2311mm	63in.	1600mm	76in.	1930mm	88in.	2235mm
FT-0080-C	FT-1500-L	152in.	3860mm	91in.	2311mm	63in.	1600mm	76in.	1930mm	88in.	2235mm

Skid Mounted Units (Heater and Pump)

Skidded units ordered without the Combination Tank come equipped with:

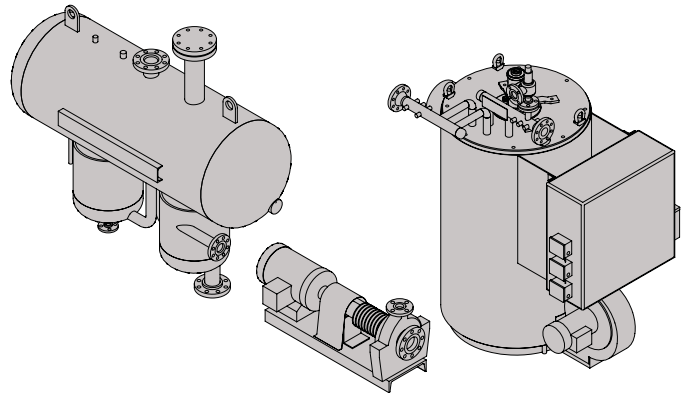
- A. Pipework on the suction side of pump
 1. Y-Type Strainer
 2. Flexible Connector
 3. Valve
- B. Pipework between Pump discharge and Heater inlet including:
 1. Flexible Connector
 2. Valve

Expansion tank is supplied separately when required.



Non-Skid Mounted Units (Heater, Pump, and Tank Without Skid Mounting)

No piping components are supplied as standard. However, they are available as options - consult factory.



Fulton Thermal Corporation.
972 Centerville Road
Pulaski, New York USA 13142
Call 315-298-5121
Fax 315-298-6390

AU-0080C PDS
09/08
Printed in USA

Fulton Australian Office.
PO Box 1023, Baukham Hills 1755
Sydney, Australia
Call (61) 2 9639 8909
Fax (61) 2 9639 9304