

Industrial/Commercial Division
Fulton Thermal Corporation



**Fulton Coil Design
Thermal Fluid Heater
(Australia)**

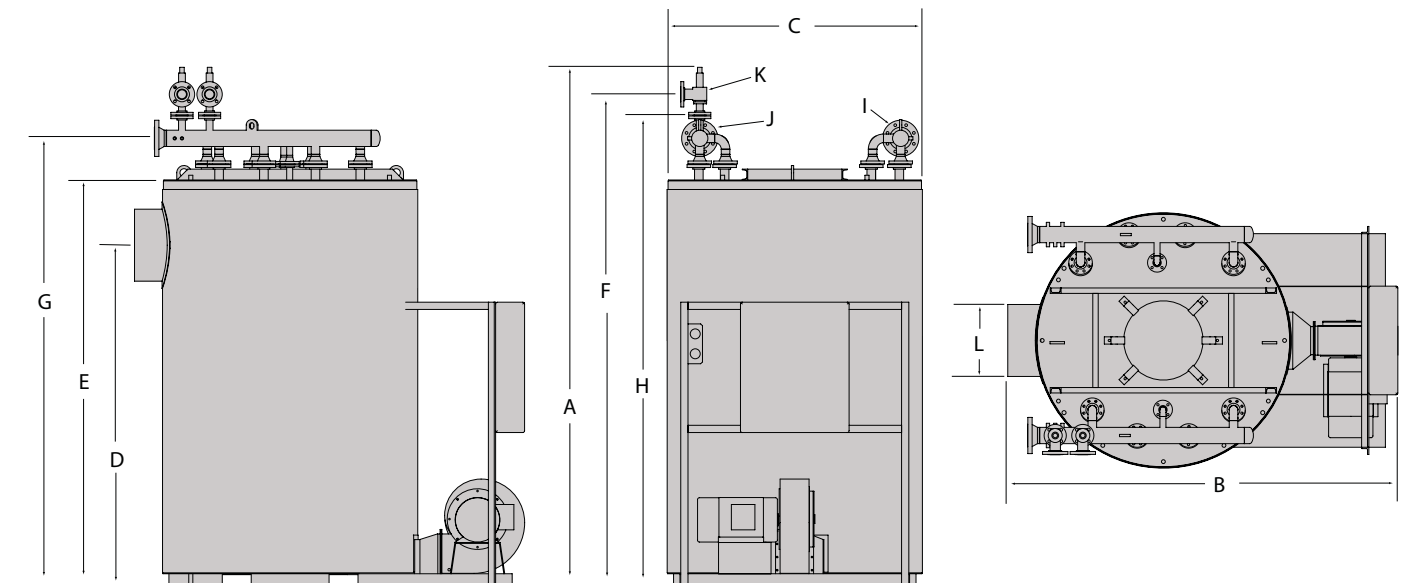
**Product Data Submittal
Model FT-1400-C**

Dimensions and Specifications

A. Heater Height	IN	163.15
	MM	4144
B. Heater Depth	IN	152.9
	MM	3882
C. Heater Width	IN	108.4
	MM	2753
D. Height to Center of Flue	IN	108.25
	MM	2750
E. Height to Top of Vessel	IN	128
	MM	3251
F. Height to Safety Valve Outlet (Qty 2)	IN	156.6
	MM	3978
G. Height to Heater Inlet/Outlet	IN	140.8
	MM	3577
H. Height to Safety Relief Valve Inlet (Qty 2)	IN	148.1
	MM	3762
I. Heater Inlet	IN	6
	MM	152
J. Heater Outlet	IN	6
	MM	152
K. Safety Relief Valve Outlet (Qty 2)	IN	3
	MM	76
L. Flue Diameter	IN	22
	MM	559

Heat Output	BTU/Hr.	14,000,000	
	KW.	4099	
Fuel Input	No. 2 Oil (U.S.)	GPH	122
		LPH	461.5
	Natural Gas	FT ³ /Hr	17500
Gas Pressure Required	Natural Gas	M ³ /Hr	495.5
	IN W.C.	120	
Recommended Circulation Rate	kPa	29.8	
	(U.S.)	GPM	800
Pressure Drop Across Heater at Recommended Circulation Rate	Litres/Hr.	181,700	
	PSID	27	
Burner Motor	kPa	186	
	HP	20	
Circulating Pump Motor	KW	15	
	HP	60	
Heater Fluid Content	KW	45	
	(U.S.)	Gallons	460
Heater Dry Weight	Litres	1741	
	LB	23000	
	KG	10455	

Specifications and Dimensions are approximate and for reference only.
We reserve the right to change specifications and/or dimensions.
Operating specifications may change based on field conditions.



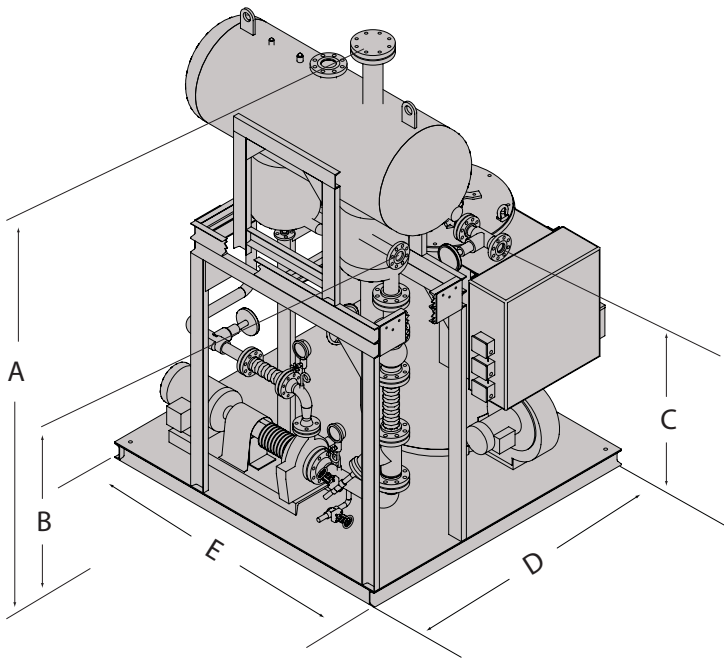
Specifications

Completely Skid Mounted Units (Heater, Pump and Tank)

Completely skid mounted units come equipped with:

- A. Pipework between Deaerator Tank outlet and Pump Suction including:
 1. Valve
 2. Flexible Connector
 3. Y-Type Strainer
- B. Pipework between Pump discharge and Heater inlet including:
 1. Flexible Connector
 2. Valve

Note: unit will be disassembled for shipping



Drawings are for reference only. Details vary with model. Specifications subject to change without notice.

Dimensions Model FT-1400-C

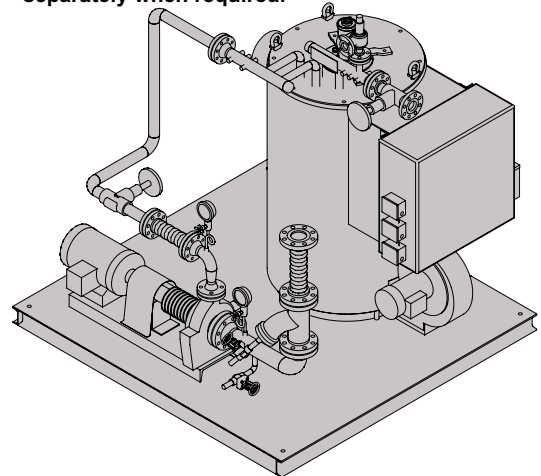
Heater Model	Tank Model	Highest Elevation A	Tank Inlet B	Heater Outlet C	Width D	Depth E
FT-1400-C	FT-2000-L	221in. 5613mm	147in. 3747mm	145in. 3683mm	158in. 4013mm	158in. 4013mm
FT-1400-C	FT-3000-L	229in. 5818mm	155in. 3937mm	145in. 3683mm	158in. 4013mm	158in. 4013mm
FT-1400-C	FT-5000-L	242in. 6147mm	150.5in. 3823mm	145in. 3683mm	175in. 4445mm	158in. 4013mm

Skid Mounted Units (Heater and Pump)

Skidded units ordered without the Combination Tank come equipped with:

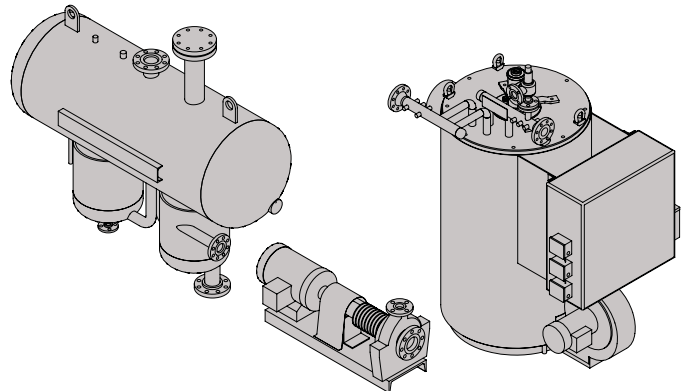
- A. Pipework on the suction side of pump
 1. Y-Type Strainer
 2. Flexible Connector
 3. Valve
- B. Pipework between Pump discharge and Heater inlet including:
 1. Flexible Connector
 2. Valve

Expansion tank is supplied separately when required.



Non-Skid Mounted Units (Heater, Pump, and Tank Without Skid Mounting)

No piping components are supplied as standard. However, they are available as options - consult factory.



Fulton Thermal Corporation.
972 Centerville Road
Pulaski, New York USA 13142
Call 315-298-5121
Fax 315-298-6390

AU-1400C PDS
09/08
Printed in USA

Fulton Australian Office.
PO Box 1023, Baukham Hills 1755
Sydney, Australia
Call (61) 2 9639 8909
Fax (61) 2 9639 9304