

Industrial/Commercial Division  
Fulton Thermal Corporation

## Product Data Submittal Model FT-0160-C



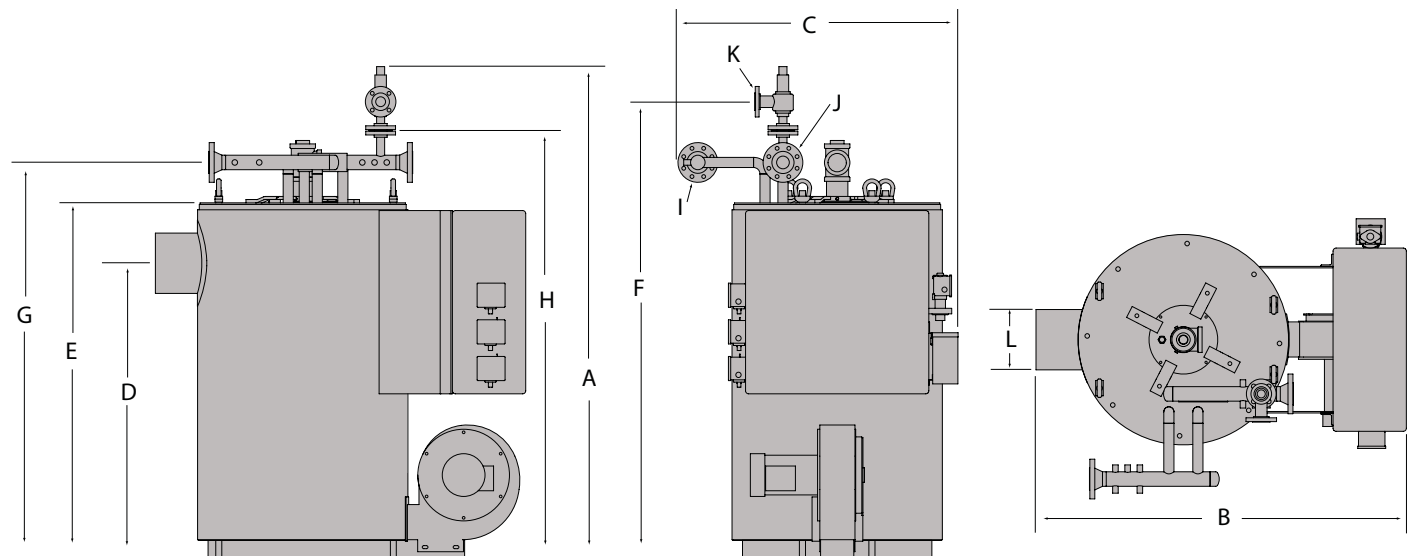
## Fulton Coil Design Thermal Fluid Heater (Australia)

### Dimensions and Specifications

|  |    |       |
|--|----|-------|
| A. Heater Height                       | IN | 80.6  |
|  | MM | 2046  |
| B. Heater Depth                        | IN | 60.6  |
|  | MM | 1540  |
| C. Heater Width                        | IN | 45.9  |
|  | MM | 1165  |
| D. Height to Center of Flue            | IN | 48.4  |
|  | MM | 1229  |
| E. Height to Top of Vessel             | IN | 58.25 |
|  | MM | 1480  |
| F. Height to Safety Valve Outlet       | IN | 74.8  |
|  | MM | 1900  |
| G. Height to Heater Inlet/Outlet       | IN | 64.9  |
|  | MM | 1648  |
| H. Height to Safety Relief Valve Inlet | IN | 70.1  |
|  | MM | 1780  |
| I. Heater Inlet                        | IN | 2     |
|  | MM | 51    |
| J. Heater Outlet                       | IN | 2     |
|  | MM | 51    |
| K. Safety Relief Valve Outlet          | IN | 1.5   |
|  | MM | 38    |
| L. Flue Diameter                       | IN | 10    |
|  | MM | 254   |

|   |                                 |           |
|---|---------------------------------|-----------|
| Heat Output   | BTU/Hr.                         | 1,600,000 |
|   | KW.                             | 468       |
| Fuel Input  | No. 2 Oil (U.S.)GPH             | 14.3      |
|   | LPH                             | 54.1      |
| Gas Pressure Required                                       | Natural Gas FT <sup>3</sup> /Hr | 1998      |
|   | Natural Gas M <sup>3</sup> /Hr  | 56.5      |
| Recommended Circulation Rate                                | IN W.C.                         | 14        |
|   | kPa                             | 3.48      |
| Pressure Drop Across Heater at Recommended Circulation Rate | (U.S.)GPM                       | 100       |
|   | Litres/Hr.                      | 22,712    |
| Burner Motor  | HP                              | 3         |
|   | KW                              | 2.2       |
| Circulating Pump Motor                                      | HP                              | 15        |
|   | KW                              | 11.2      |
| Heater Fluid Content  | (U.S.)Gallons                   | 19        |
|   | Litres                          | 80        |
| Heater Dry Weight   | LB                              | 2550      |
|   | KG                              | 1150      |

Specifications and Dimensions are approximate and for reference only.  
We reserve the right to change specifications and/or dimensions.  
Operating specifications may change based on field conditions.



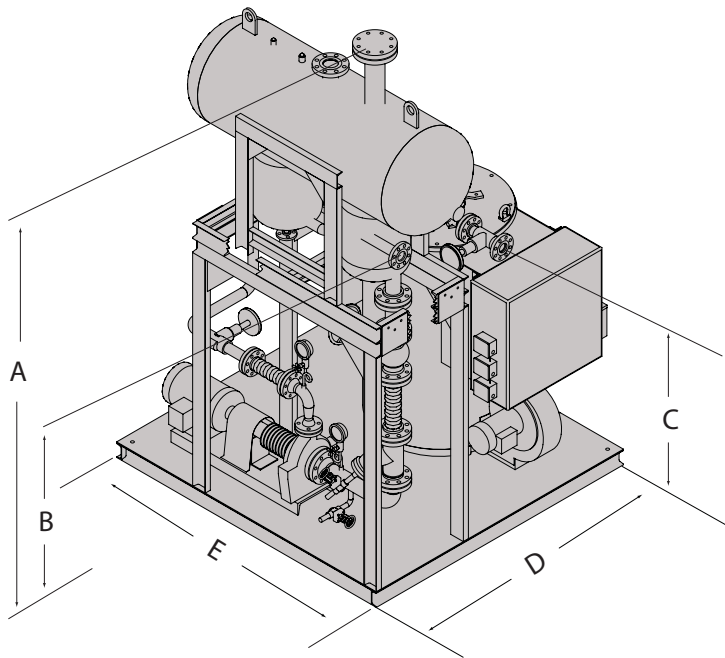
# Specifications

## Completely Skid Mounted Units (Heater, Pump and Tank)

Completely skid mounted units come equipped with:

- A. Pipework between Deaerator Tank outlet and Pump Suction including:
  1. Valve
  2. Flexible Connector
  3. Y-Type Strainer
- B. Pipework between Pump discharge and Heater inlet including:
  1. Flexible Connector
  2. Valve

Note: unit will be disassembled for shipping



Drawings are for reference only. Details vary with model. Specifications subject to change without notice.

## Dimensions Model FT-0160-C

| Heater Model | Tank Model | Highest Elevation A | Tank Inlet B    | Heater Outlet C  | Width D      | Depth E      |
|--------------|------------|---------------------|-----------------|------------------|--------------|--------------|
| FT-0160-C    | FT-200-L   | 133in. 3378mm       | 92in. 2337mm    | 69.125in. 1756mm | 66in. 1676mm | 88in. 2235mm |
| FT-0160-C    | FT-500-L   | 139in. 3530mm       | 92in. 2337mm    | 69.125in. 1756mm | 78in. 1981mm | 88in. 2235mm |
| FT-0160-C    | FT-1000-L  | 160in. 4064mm       | 98in. 2489mm    | 69.125in. 1756mm | 88in. 2235mm | 88in. 2235mm |
| FT-0160-C    | FT-1500-L  | 160in. 4064mm       | 98in. 2489mm    | 69.125in. 1756mm | 88in. 2235mm | 88in. 2235mm |
| FT-0160-C    | FT-2000-L  | 180in. 4572mm       | 107.5in. 2730mm | 69.125in. 1756mm | 94in. 2387mm | 92in. 2337mm |



Fulton Thermal Corporation.  
972 Centerville Road  
Pulaski, New York USA 13142  
Call 315-298-5121  
Fax 315-298-6390

AU-0160C PDS  
09/08  
Printed in USA

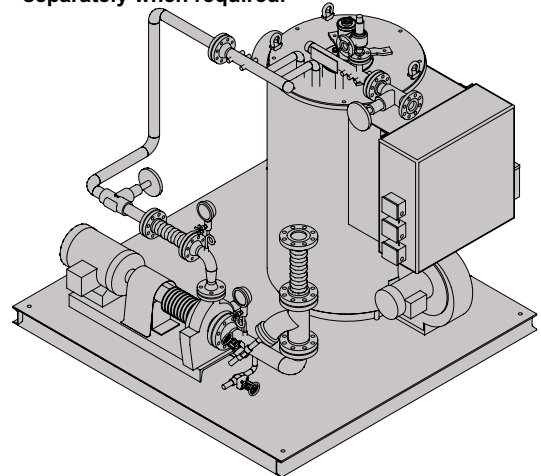
Fulton Australian Office.  
PO Box 1023, Baukhams Hills 1755  
Sydney, Australia  
Call (61) 2 9639 8909  
Fax (61) 2 9639 9304

## Skid Mounted Units (Heater and Pump)

Skidded units ordered without the Combination Tank come equipped with:

- A. Pipework on the suction side of pump
  1. Y-Type Strainer
  2. Flexible Connector
  3. Valve
- B. Pipework between Pump discharge and Heater inlet including:
  1. Flexible Connector
  2. Valve

Expansion tank is supplied separately when required.



## Non-Skid Mounted Units

### (Heater, Pump, and Tank Without Skid Mounting)

No piping components are supplied as standard.

However, they are available as options - consult factory.

