

Industrial/Commercial Division
Fulton Thermal Corporation



**Fulton Coil Design
Thermal Fluid Heater
(Australia)**

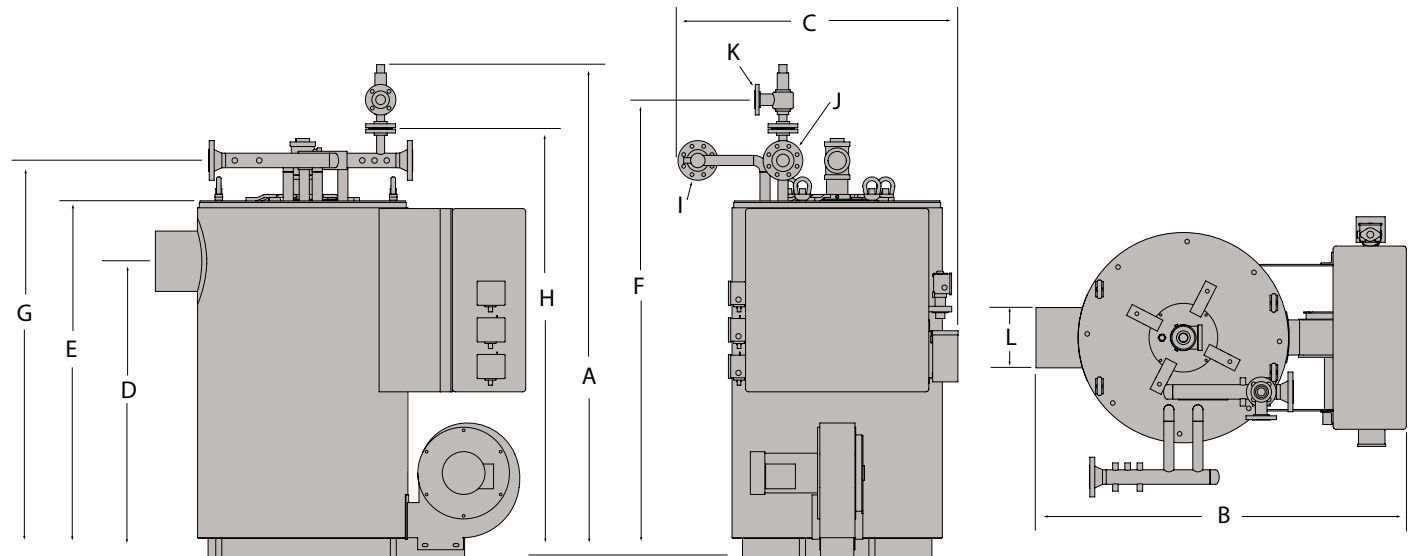
**Product Data Submittal
Model FT-0240-C**

Dimensions and Specifications

A. Heater Height	IN	89.7
	MM	2278
B. Heater Depth	IN	66.6
	MM	1691
C. Heater Width	IN	50.1
	MM	1273
D. Height to Center of Flue	IN	54.1
	MM	1375
E. Height to Top of Vessel	IN	65.1
	MM	1654
F. Height to Safety Valve Outlet	IN	82.9
	MM	2105
G. Height to Heater Inlet/Outlet	IN	71.9
	MM	1826
H. Height to Safety Relief Valve Inlet	IN	77.3
	MM	1964
I. Heater Inlet	IN	2.5
	MM	64
J. Heater Outlet	IN	2.5
	MM	64
K. Safety Relief Valve Outlet	IN	2
	MM	51
L. Flue Diameter	IN	12
	MM	305

Heat Output	BTU/Hr.	2,400,000
	KW.	703
Fuel Input	No. 2 Oil (U.S.)GPH	21.4
	LPH	81
Gas Pressure Required	Natural Gas FT ³ /Hr	2999
	Natural Gas M ³ /Hr	84.9
Recommended Circulation Rate	IN W.C.	14
	kPa	3.48
Pressure Drop Across Heater at Recommended Circulation Rate	(U.S.)GPM	150
	Litres/Hr.	34,069
Burner Motor	HP	3
	KW	2.2
Circulating Pump Motor	HP	15
	KW	11.2
Heater Fluid Content	(U.S.)Gallons	31
	Litres	116
Heater Dry Weight	LB	3400
	KG	1550

Specifications and Dimensions are approximate and for reference only.
We reserve the right to change specifications and/or dimensions.
Operating specifications may change based on field conditions.



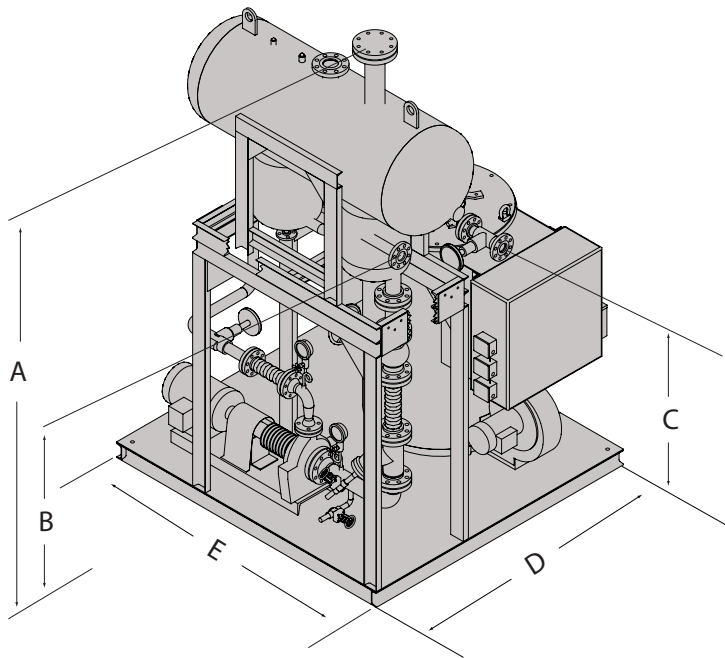
Specifications

Completely Skid Mounted Units (Heater, Pump and Tank)

Completely skid mounted units come equipped with:

- A. Pipework between Deaerator Tank outlet and Pump Suction including:
 1. Valve
 2. Flexible Connector
 3. Y-Type Strainer
- B. Pipework between Pump discharge and Heater inlet including:
 1. Flexible Connector
 2. Valve

Note: unit will be disassembled for shipping



Drawings are for reference only. Details vary with model. Specifications subject to change without notice.

Dimensions Model FT-0240-C

Heater Model	Tank Model	Highest Elevation A	Tank Inlet B	Heater Outlet C	Width D	Depth E
FT-0240-C	FT-200-L	137in. 3480mm	90in. 2337mm	76.125in. 1933mm	72in. 1829mm	90in. 2337mm
FT-0240-C	FT-500-L	143in. 3632mm	96in. 2489mm	76.125in. 1933mm	84in. 2133mm	92in. 2337mm
FT-0240-C	FT-1000-L	158in. 4013mm	96in. 2489mm	76.125in. 1933mm	96in. 2438mm	88in. 2235mm
FT-0240-C	FT-1500-L	158in. 4013mm	96in. 2489mm	76.125in. 1933mm	96in. 2438mm	88in. 2235mm
FT-0240-C	FT-2000-L	178.5in. 4534mm	106in. 2730mm	76.125in. 1933mm	102in. 2591mm	92in. 2337mm



Fulton Thermal Corporation.
972 Centerville Road
Pulaski, New York USA 13142
Call 315-298-5121
Fax 315-298-6390

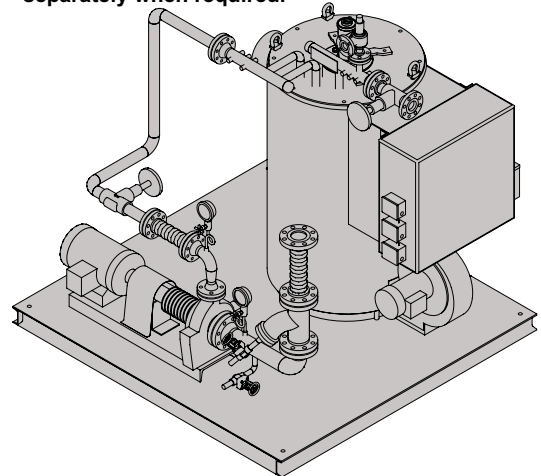
AU-0240C PDS
09/08
Printed in USA

Skid Mounted Units (Heater and Pump)

Skidded units ordered without the Combination Tank come equipped with:

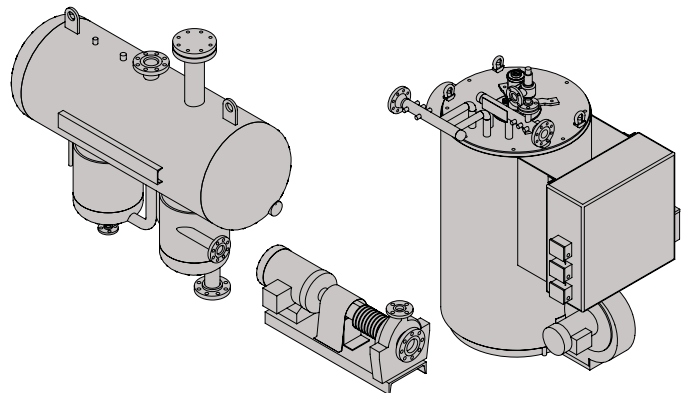
- A. Pipework on the suction side of pump
 1. Y-Type Strainer
 2. Flexible Connector
 3. Valve
- B. Pipework between Pump discharge and Heater inlet including:
 1. Flexible Connector
 2. Valve

Expansion tank is supplied separately when required.



Non-Skid Mounted Units (Heater, Pump, and Tank Without Skid Mounting)

No piping components are supplied as standard. However, they are available as options - consult factory.



Fulton Australian Office.
PO Box 1023, Baukham Hills 1755
Sydney, Australia
Call (61) 2 9639 8909
Fax (61) 2 9639 9304