

Industrial/Commercial Division
Fulton Thermal Corporation

Product Data Submittal Model FT-0320-C



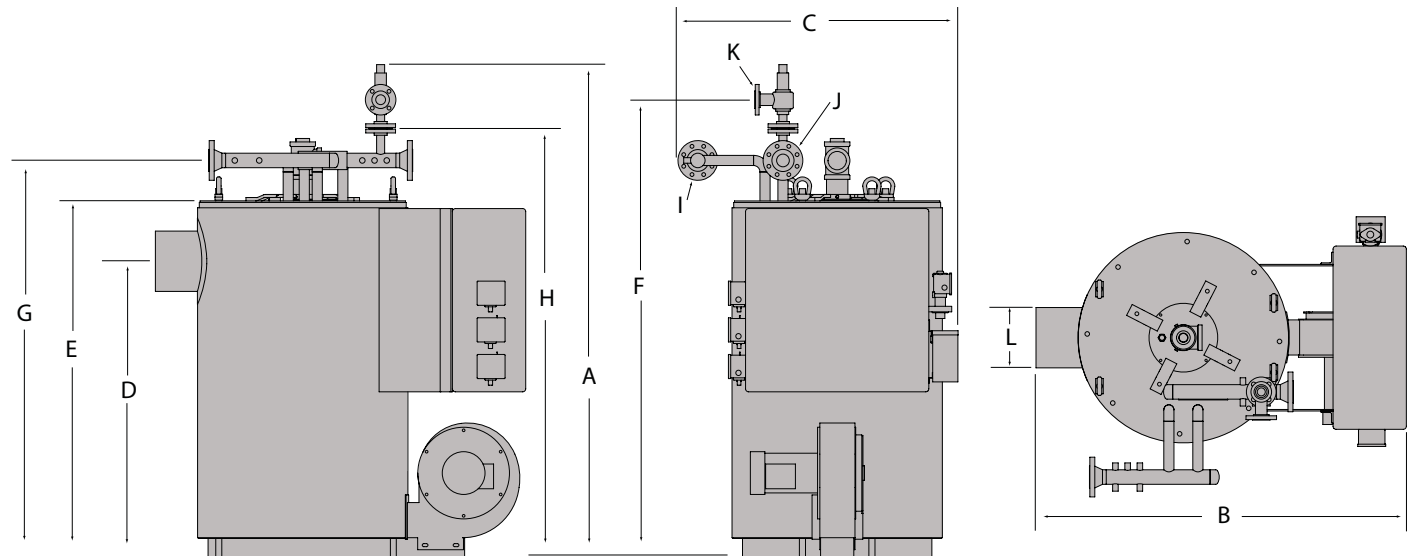
Fulton Coil Design Thermal Fluid Heater (Australia)

Dimensions and Specifications

A. Heater Height	IN	100.6
	MM	2556
B. Heater Depth	IN	80.6
	MM	2046
C. Heater Width	IN	49.3
	MM	1252
D. Height to Center of Flue	IN	59.75
	MM	1821
E. Height to Top of Vessel	IN	72.75
	MM	2153
F. Height to Safety Valve Outlet	IN	93.2
	MM	2367
G. Height to Heater Inlet/Outlet	IN	81.5
	MM	2070
H. Height to Safety Relief Valve Inlet	IN	87.25
	MM	2216
I. Heater Inlet	IN	3
	MM	76
J. Heater Outlet	IN	3
	MM	76
K. Safety Relief Valve Outlet	IN	2.5
	MM	64
L. Flue Diameter	IN	14
	MM	356

Heat Output	BTU/Hr.	3,200,000	
	KW.	937	
Fuel Input	No. 2 Oil (U.S.)	GPH	28
		LPH	108.8
	Natural Gas	FT ³ /Hr	4000
Gas Pressure Required	Natural Gas	M ³ /Hr	113.2
	IN W.C.	14	
Recommended Circulation Rate	kPa	3.48	
	(U.S.)	GPM	250
Pressure Drop Across Heater at Recommended Circulation Rate	Litres/Hr.	56,781	
	PSID	25	
Burner Motor	kPa	172	
	HP	7.5	
Circulating Pump Motor	KW	5.6	
	HP	20	
Heater Fluid Content	KW	14.9	
	(U.S.)	Gallons	68
Heater Dry Weight	Litres	258	
	LB	5300	
	KG	2400	

Specifications and Dimensions are approximate and for reference only.
We reserve the right to change specifications and/or dimensions.
Operating specifications may change based on field conditions.



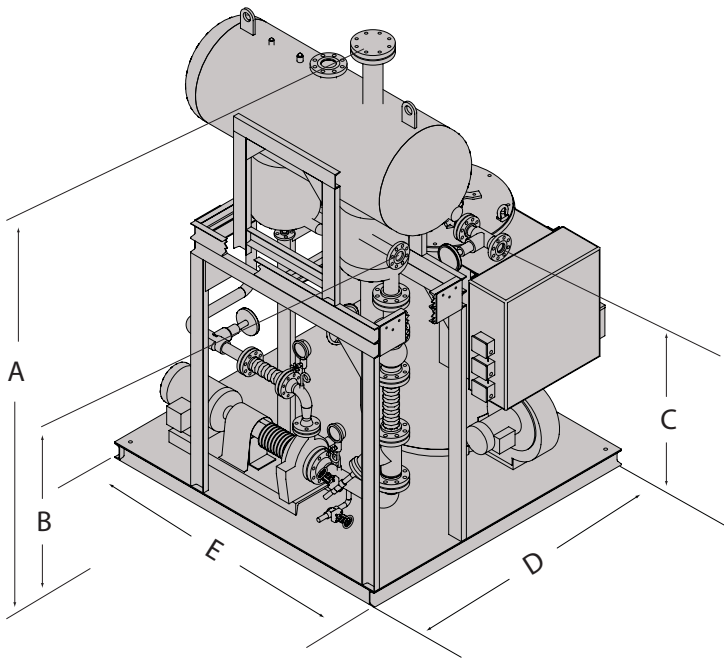
Specifications

Completely Skid Mounted Units (Heater, Pump and Tank)

Completely skid mounted units come equipped with:

- A. Pipework between Deaerator Tank outlet and Pump Suction including:
 1. Valve
 2. Flexible Connector
 3. Y-Type Strainer
- B. Pipework between Pump discharge and Heater inlet including:
 1. Flexible Connector
 2. Valve

Note: unit will be disassembled for shipping



Drawings are for reference only. Details vary with model. Specifications subject to change without notice.

Dimensions Model FT-0320-C

Heater Model	Tank Model	Highest Elevation A	Tank Inlet B	Heater Outlet C	Width D	Depth E
FT-0320-C	FT-500-L	146in. 3708mm	98in. 2489mm	85.75in. 2178mm	90in. 2286mm	92in. 2337mm
FT-0320-C	FT-1000-L	168in. 4267mm	106in. 2692mm	85.75in. 2178mm	102in. 2591mm	92in. 2337mm
FT-0320-C	FT-1500-L	168in. 4267mm	106in. 2692mm	85.75in. 2178mm	102in. 2591mm	92in. 2337mm
FT-0320-C	FT-2000-L	186.5in.4737mm	114in. 2895mm	85.75in. 2178mm	108in. 2743mm	92in. 2337mm



Fulton Thermal Corporation.
972 Centerville Road
Pulaski, New York USA 13142
Call 315-298-5121
Fax 315-298-6390

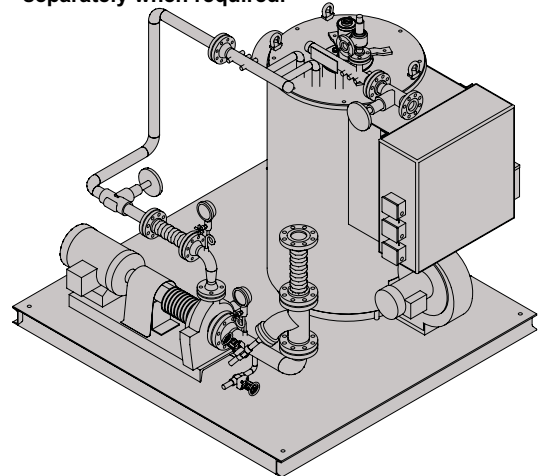
AU-0320C PDS
09/08
Printed in USA

Skid Mounted Units (Heater and Pump)

Skidded units ordered without the Combination Tank come equipped with:

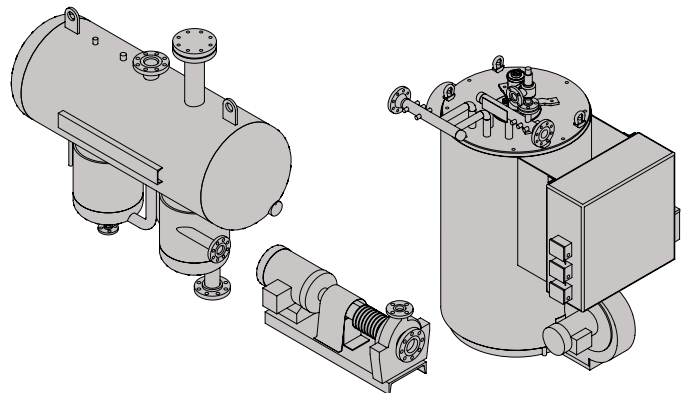
- A. Pipework on the suction side of pump
 1. Y-Type Strainer
 2. Flexible Connector
 3. Valve
- B. Pipework between Pump discharge and Heater inlet including:
 1. Flexible Connector
 2. Valve

Expansion tank is supplied separately when required.



Non-Skid Mounted Units (Heater, Pump, and Tank Without Skid Mounting)

No piping components are supplied as standard. However, they are available as options - consult factory.



Fulton Australian Office.
PO Box 1023, Baukham Hills 1755
Sydney, Australia
Call (61) 2 9639 8909
Fax (61) 2 9639 9304