

Industrial/Commercial Division
Fulton Thermal Corporation



**Fulton Coil Design
Thermal Fluid Heater
(Australia)**

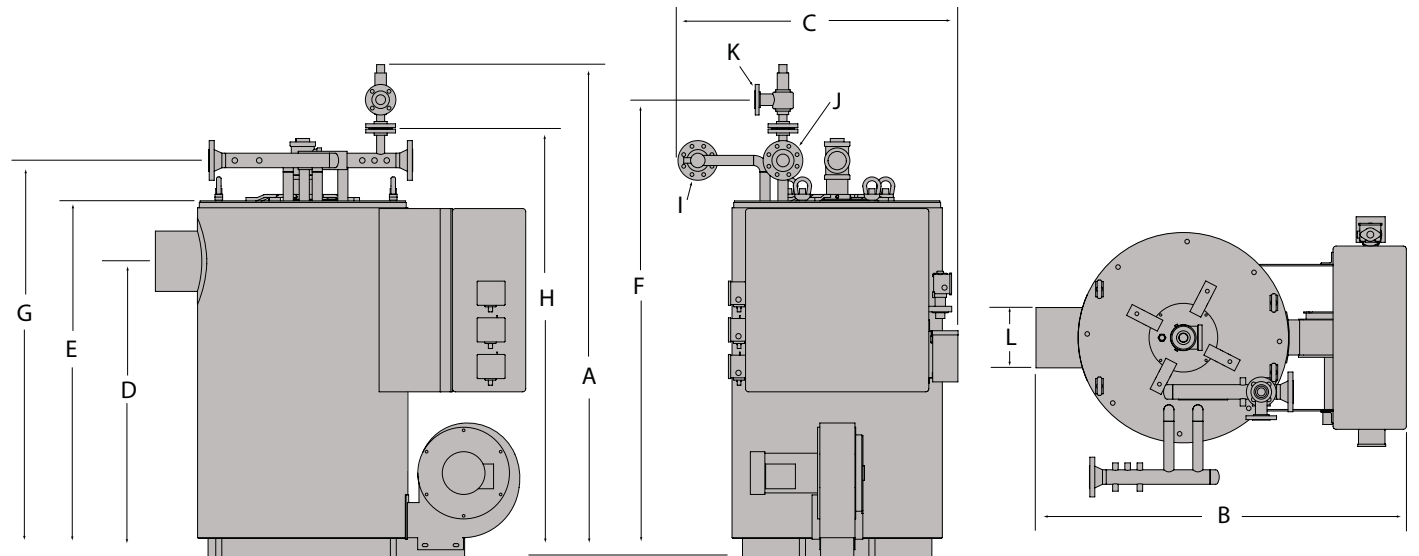
**Product Data Submittal
Model FT-0120-C**

Dimensions and Specifications

A. Heater Height	IN	80.7
	MM	2050
B. Heater Depth	IN	60.6
	MM	1540
C. Heater Width	IN	34.4
	MM	873
D. Height to Center of Flue	IN	44.25
	MM	1124
E. Height to Top of Vessel	IN	55
	MM	1397
F. Height to Safety Valve Outlet	IN	74.8
	MM	1900
G. Height to Heater Inlet/Outlet	IN	65
	MM	1651
H. Height to Safety Relief Valve Inlet	IN	70.2
	MM	1783
I. Heater Inlet	IN	1.5
	MM	38
J. Heater Outlet	IN	1.5
	MM	38
K. Safety Relief Valve Outlet	IN	1.5
	MM	38
L. Flue Diameter	IN	10
	MM	254

Heat Output	BTU/Hr.	1,200,000
	KW.	351
Fuel Input	No. 2 Oil (U.S.)GPH	10.7
	LPH	40.5
Gas Pressure Required	Natural Gas FT ³ /Hr	1498
	Natural Gas M ³ /Hr	42.4
Recommended Circulation Rate	IN W.C.	14
	kPa	3.48
Pressure Drop Across Heater at Recommended Circulation Rate	(U.S.)GPM	75
	Litres/Hr.	17,034
Burner Motor	HP	3
	KW	2.2
Circulating Pump Motor	HP	10
	KW	7.5
Heater Fluid Content	(U.S.)Gallons	21
	Litres	80
Heater Dry Weight	LB	2100
	KG	950

Specifications and Dimensions are approximate and for reference only.
We reserve the right to change specifications and/or dimensions.
Operating specifications may change based on field conditions.



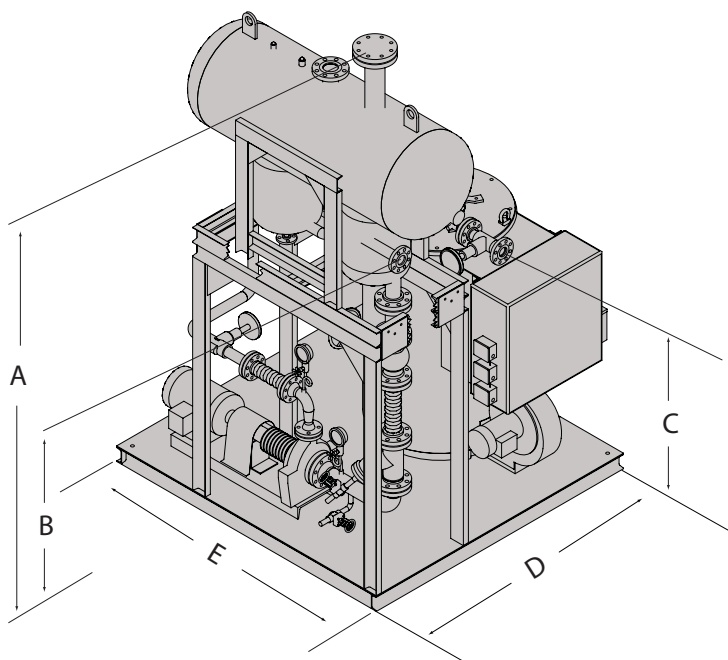
Specifications

Completely Skid Mounted Units (Heater, Pump and Tank)

Completely skid mounted units come equipped with:

- A. Pipework between Deaerator Tank outlet and Pump Suction including:
 1. Valve
 2. Flexible Connector
 3. Y-Type Strainer
- B. Pipework between Pump discharge and Heater inlet including:
 1. Flexible Connector
 2. Valve

Note: unit will be disassembled for shipping

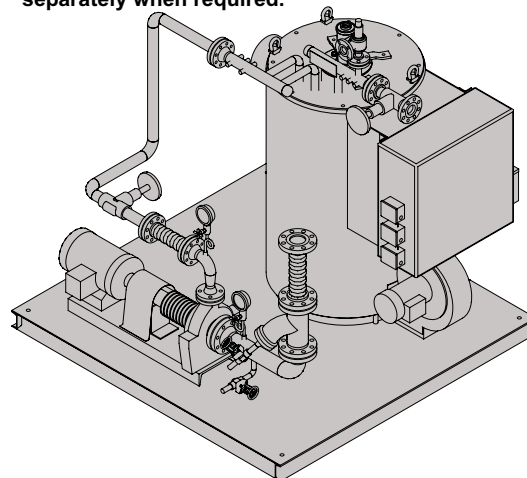


Skid Mounted Units (Heater and Pump)

Skidded units ordered without the Combination Tank come equipped with:

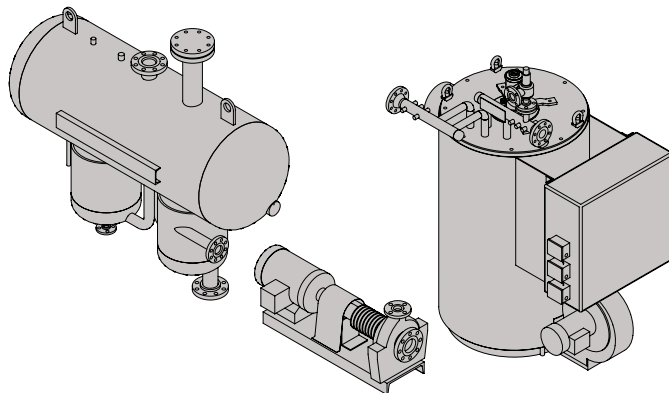
- A. Pipework on the suction side of pump
 1. Y-Type Strainer
 2. Flexible Connector
 3. Valve
- B. Pipework between Pump discharge and Heater inlet including:
 1. Flexible Connector
 2. Valve

Expansion tank is supplied separately when required.



Non-Skid Mounted Units (Heater, Pump, and Tank Without Skid Mounting)

No piping components are supplied as standard. However, they are available as options - consult factory.



Drawings are for reference only. Details vary with model. Specifications subject to change without notice.

Dimensions Model FT-0120-C

Heater Model	Tank Model	Highest Elevation A	Tank Inlet B	Heater Outlet C	Width D	Depth E
FT-0120-C	FT-200-L	126in. 3200mm	85in. 2159mm	69.25in. 1759mm	62in. 1575mm	88 in. 2235mm
FT-0120-C	FT-500-L	133in. 3378mm	85in. 2159mm	69.25in. 1759mm	72in. 1828mm	88in. 2235mm
FT-0120-C	FT-1000-L	154in. 3911mm	92in. 2337mm	69.25in. 1759mm	78in. 1981mm	88in. 2235mm
FT-0120-C	FT-1500-L	154in. 3911mm	92in. 2337mm	69.25in. 1759mm	78in. 1981mm	88in. 2235mm



Fulton Thermal Corporation.
972 Centerville Road
Pulaski, New York USA 13142
Call 315-298-5121
Fax 315-298-6390

AU-0120C PDS
09/08
Printed in USA

Fulton Australian Office.
PO Box 1023, Baukham Hills 1755
Sydney, Australia
Call (61) 2 9639 8909
Fax (61) 2 9639 9304