
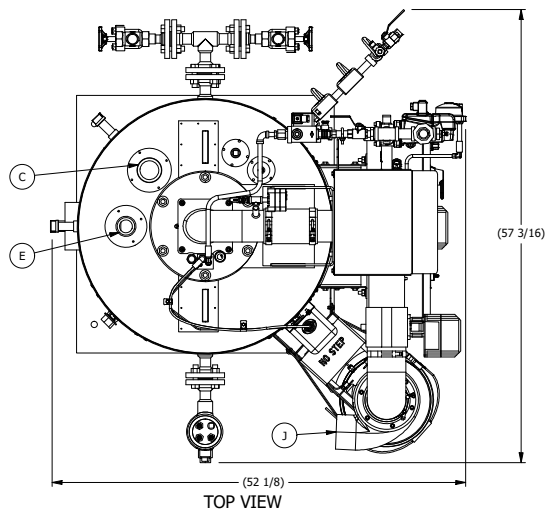
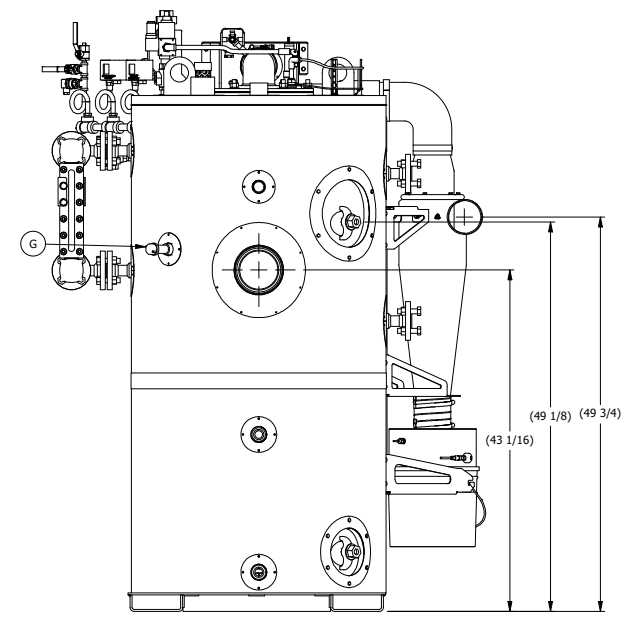
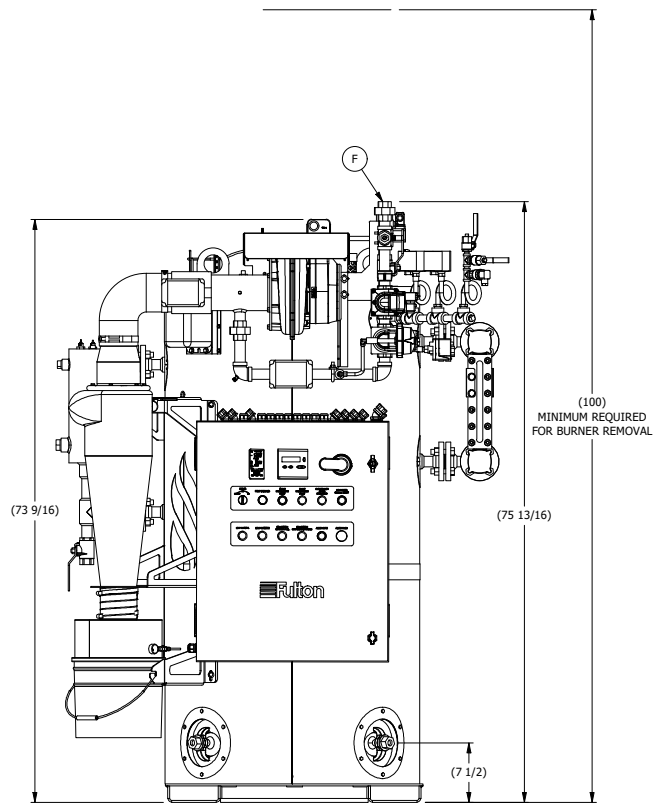
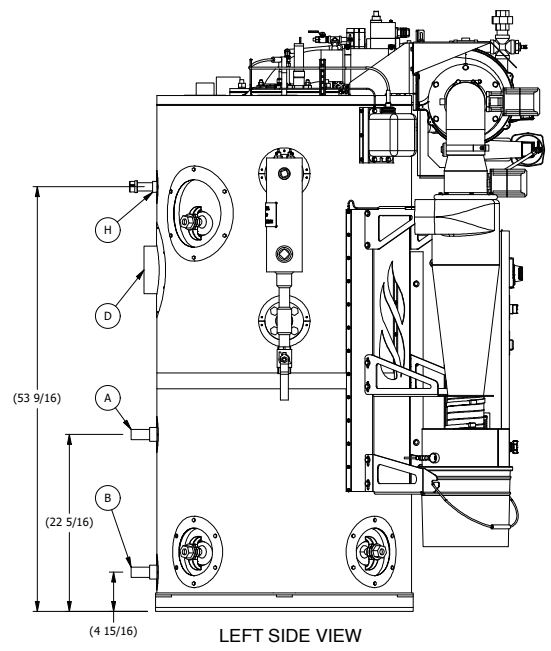


DISTRIBUTED IN AUSTRALIA BY HUNT BOILERS

- INITIAL RELEASE -						UNLESS OTHERWISE NOTED, DIMENSIONS ARE IN INCHES		This design and drawings are the proprietary property of The Fulton Companies. The corporation does not permit their use except with prior written consent.		The items shown in this drawing may be covered by one or more patents of The Fulton Companies.		DRAWN BY: B.POOLE 11/5/2018		MECHANICAL REVIEW: CA 11/11/2018		JOB NUMBER:		DESCRIPTION: VSRT-10/15 HIGH PRESSURE (150 PSI) MODULATED STEAM BOILER - GENERAL ARRANGEMENT 1 -		 Fulton Steam Solutions, Inc. DRAWING NUMBER: 7-56-AS0015		REVISION -	
REVISION HISTORY		B.O.M.		ELEC. ENG		MECH. ENG		CHECKED		APPROVED		CHECKED BY: TK 11/12/2018		ELECTRICAL REVIEW: N/A		PROJECT NAME:							
												B.O.M. REVIEW: ATF 11/8/2018		APPROVED BY: ATF 11/7/2018		PROJECT MANAGER:							



CUSTOMER CONNECTIONS			
ITEM	DESCRIPTION	SIZE	TYPE
A	FEED WATER INLET	1"	N.P.T.
B	BLOWDOWN OUTLET	1 1/4"	N.P.T.
C	STEAM OUTLET	2"	N.P.T.
D	EXHAUST STACK	6"	SLIP
E	SAFETY RELIEF VALVE	1 1/2"	N.P.T.
F	FUEL INLET	1"	N.P.T.
G	SURFACE BLOWDOWN	3/4"	N.P.T.
H	HIGH WATER PROTECTION	3/4"	N.P.T.
J	COMBUSTION AIR INLET	4"	N.P.T.



DISTRIBUTED IN AUSTRALIA BY HUNT BOILERS

REV	REVISION DESCRIPTION	B.O.M.	ELEC. ENG	MECH. ENG	CHECKED	APPROVED
-	- INITIAL RELEASE -	-	-	-	-	-
REVISION HISTORY						

UNLESS OTHERWISE NOTED DIMENSIONS ARE IN INCHES  
 DIMENSIONS: FRACTIONS: ± 1/16  
 DECIMALS: ± 0.01  
 (1) PLACE DEC. = ± 0.015  
 (2) PLACE DEC. = ± 0.005  
 (3) PLACE DEC. = ± 0.005  
 ANGLE: ± 0.1°  
 SURFACE FINISH: PER FEDSPEC

This design and drawings are the exclusive property of The Fulton Companies. The corporation does not permit their use except with prior written consent.

THIRD ANGLE PROJECTION

DRAWN BY: B.POOLE	11/5/2018	MECHANICAL REVIEW: CA	11/11/2018
CHECKED BY: TK	11/12/2018	ELECTRICAL REVIEW: N/A	
B.O.M. REVIEW: ATF	11/8/2018	APPROVED BY: ATF	11/7/2018

JOB NUMBER:  
PROJECT NAME:  
PROJECT MANAGER:

DESCRIPTION:  
**VSR-10/15 HIGH PRESSURE (150 PSI)  
 MODULATED STEAM BOILER  
 - GENERAL ARRANGEMENT 2 -**

**Fulton**  
Fulton Steam Solutions, Inc.

DRAWING NUMBER:  
**7-56-AS0015**

REVISION:  
-