



# Fulton Alliance Horizontal Coil Design Thermal Fluid Heater

## Product Data Submittal Model FT-0240HC

### Dimensions and Specifications

A. Heater Height	IN	64
	MM	1,626
B. Heater Depth*	IN	134
	MM	3,404
C. Heater Width*	IN	62
	MM	1,575
Heater Inlet (300#)	IN	2.5
	MM	64
Heater Outlet (300#)	IN	2.5
	MM	64
Safety Relief Valve Outlet	IN	2
	MM	51

Specifications and Dimensions are approximate and for reference only.  
We reserve the right to change specifications and/or dimensions.  
Operating specifications may change based on field conditions.  
\*Panel box location may increase width and/or depth

### Completely Skid Mounted Units Are Available (Heater, Pump and Tank)

Completely skid mounted units come equipped with:

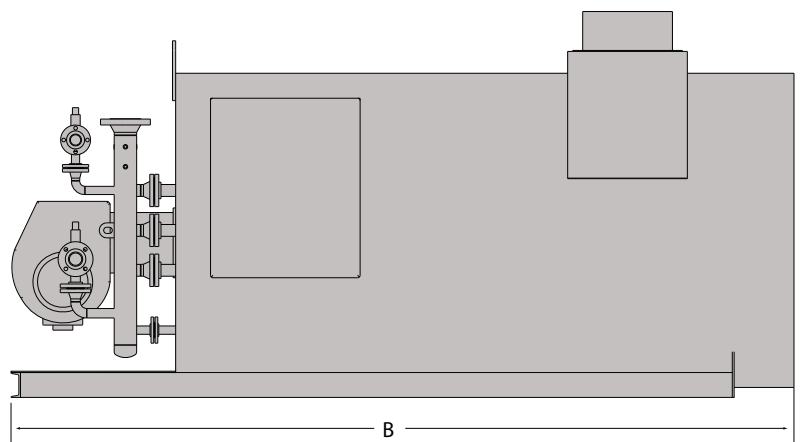
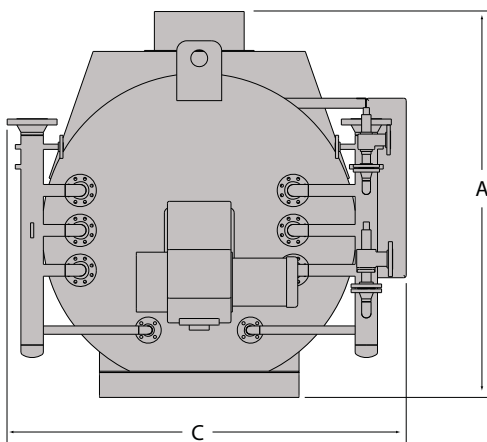
A. Pipework between Deaerator Tank outlet and Pump Suction including:

1. Valve
2. Flexible Connector
3. Y-Type Strainer

B. Pipework between Pump discharge and Heater inlet including:

1. Flexible Connector
2. Valve

Heat Output	1000 BTU/Hr.	2,400
	1000 KCAL/Hr.	600
Fuel Input	No. 2 Oil GPH	23
	Liter/Hr	88
Gas Pressure Required	Natural Gas FT <sup>3</sup> /Hr	3,200
	Natural Gas M <sup>3</sup> /Hr	91
Recommended Circulation Rate	PSIG	5
	GPM	150
Pressure Drop Across Heater at Recommended Circulation Rate	M <sup>3</sup> /Hr.	35
	PSID	30
Burner Motor	Bars	2.1
	HP	2
Circulating Pump Motor	KW	1.5
	HP	1.5
Heater Fluid Content	KW	11.2
	Gallons	75
Heater Dry Weight	Liters	284
	LB	5,000
Customer Thermal Fluid Connection	KG	2,272
	IN	2.5
	MM	64



972Centerville Road  
Pulaski, New York 13142  
Call 315-298-5121  
Fax 315-298-6390  
www.fulton.com