



Fulton Alliance Horizontal Coil Design Thermal Fluid Heater

Product Data Submittal Model FT-400HC

Dimensions and Specifications

A. Heater Height	IN	68
	MM	1,727
B. Heater Depth*	IN	137
	MM	3,480
C. Heater Width*	IN	62
	MM	1,575
Heater Inlet (300#)	IN	3
	MM	76
Heater Outlet (300#)	IN	3
	MM	76
Safety Relief Valve Outlet	IN	2.5
	MM	64

Specifications and Dimensions are approximate and for reference only.
We reserve the right to change specifications and/or dimensions.
Operating specifications may change based on field conditions.
*Panel box location may increase width and/or depth

Completely Skid Mounted Units Are Available (Heater, Pump and Tank)

Completely skid mounted units come equipped with:

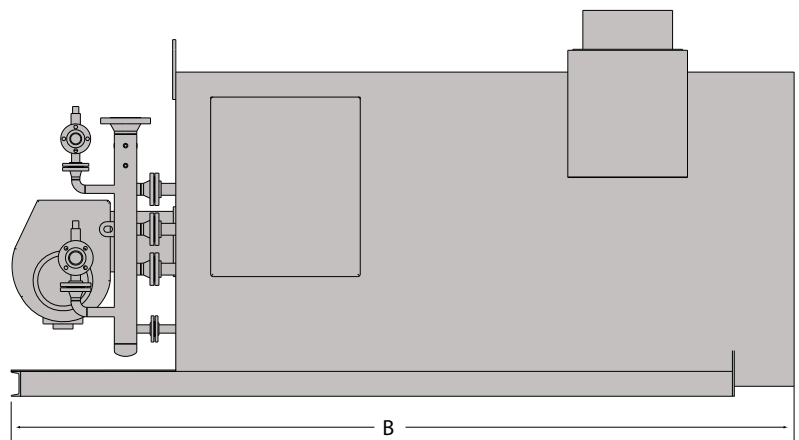
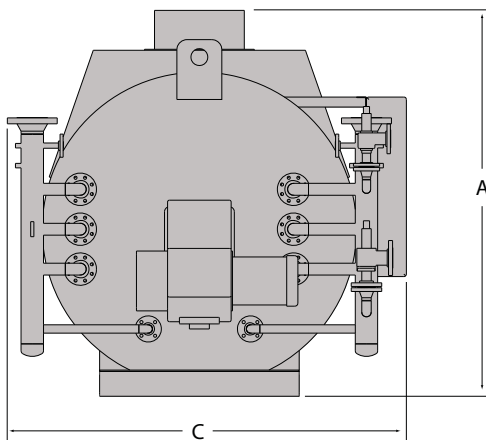
A. Pipework between Deaerator Tank outlet and Pump Suction including:

1. Valve
2. Flexible Connector
3. Y-Type Strainer

B. Pipework between Pump discharge and Heater inlet including:

1. Flexible Connector
2. Valve

Heat Output	1000 BTU/Hr.	4,000
	1000 KCAL/Hr.	1,000
Fuel Input	No. 2 Oil GPH	39
	Liter/Hr	148
Natural Gas FT ³ /Hr		5,340
	Natural Gas M ³ /Hr	152
Gas Pressure Required	PSIG	5
Recommended Circulation Rate	GPM	300
	M ³ /Hr.	69
Pressure Drop Across Heater at Recommended Circulation Rate	PSID	25
	Bars	1.7
Burner Motor	HP	5
	KW	3.7
Circulating Pump Motor	HP	25
	KW	18.7
Heater Fluid Content	Gallons	115
	Liters	435
Heater Dry Weight	LB	7,500
	KG	3,409
Customer Thermal Fluid Connection	IN	3
	MM	76



972Centerville Road
Pulaski, New York 13142
Call 315-298-5121
Fax 315-298-6390
www.fulton.com