



# Fulton Alliance Horizontal Coil Design Thermal Fluid Heater

## Product Data Submittal Model FT-2000HC

### Dimensions and Specifications

A. Heater Height	IN	118
	MM	2,997
B. Heater Depth	IN	351
	MM	8,915
C. Heater Width	IN	119.5
	MM	3,035
Heater Inlet (300#)	IN	8
	MM	203
Heater Outlet (300#)	IN	8
	MM	203
Safety Relief Valve Outlet	IN	3
	MM	76

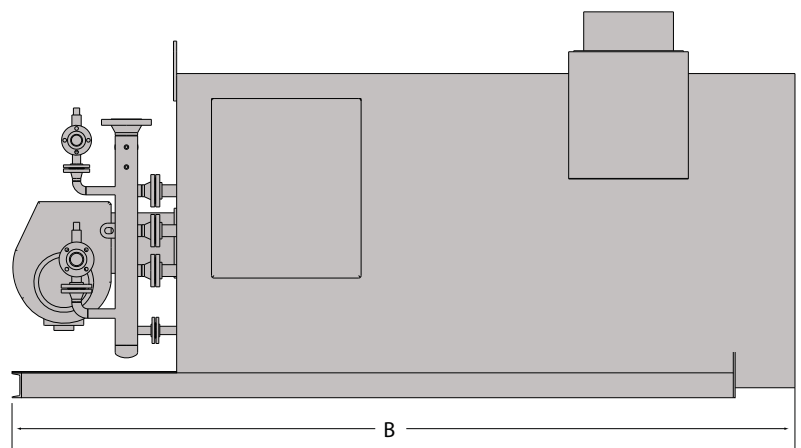
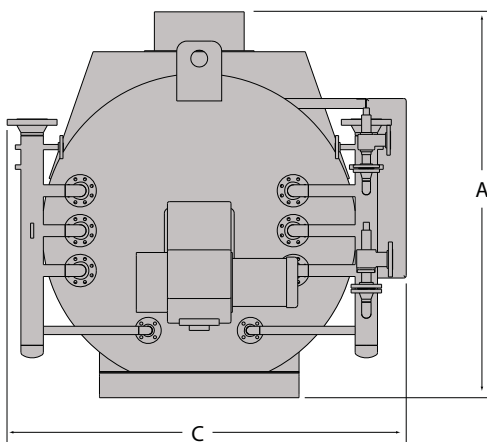
Specifications and Dimensions are approximate and for reference only.  
We reserve the right to change specifications and/or dimensions.  
Operating specifications may change based on field conditions.

### Completely Skid Mounted Units Are Available (Heater, Pump and Tank)

Completely skid mounted units come equipped with:

- A. Pipework between Deaerator Tank outlet and Pump Suction including:
  1. Valve
  2. Flexible Connector
  3. Y-Type Strainer
- B. Pipework between Pump discharge and Heater inlet including:
  1. Flexible Connector
  2. Valve

Heat Output	1000 BTU/Hr.	20,000
	1000 KCAL/Hr.	5,040
Fuel Input	No. 2 Oil GPH	179
	Liter/Hr	678
Gas Pressure Required	Natural Gas FT <sup>3</sup> /Hr	25,000
	Natural Gas M <sup>3</sup> /Hr	708
Recommended Circulation Rate	PSIG	5
	GPM	1,500
Pressure Drop Across Heater at Recommended Circulation Rate	M <sup>3</sup> /Hr.	341
	PSID	11
Burner Motor	Bars	.76
	HP	30
Circulating Pump Motor	KW	22.4
	HP	125
Heater Fluid Content	KW	93.2
	Gallons	1,150
Heater Dry Weight	Liters	4,353
	LB	39,000
Customer Thermal Fluid Connection	KG	17,728
	IN	8
	MM	203



972 Centerville Road  
Pulaski, New York 13142  
Call 315-298-5121  
Fax 315-298-6390  
www.fulton.com