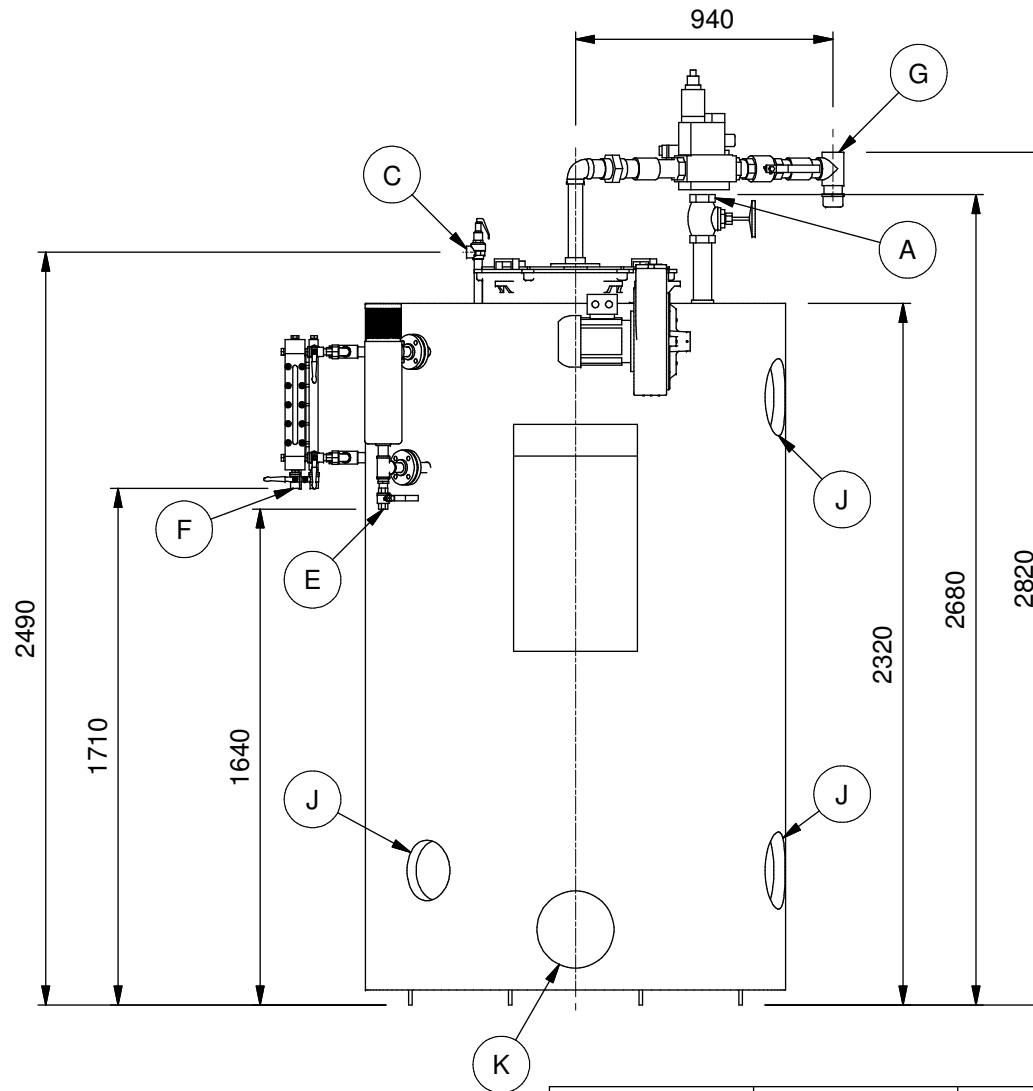
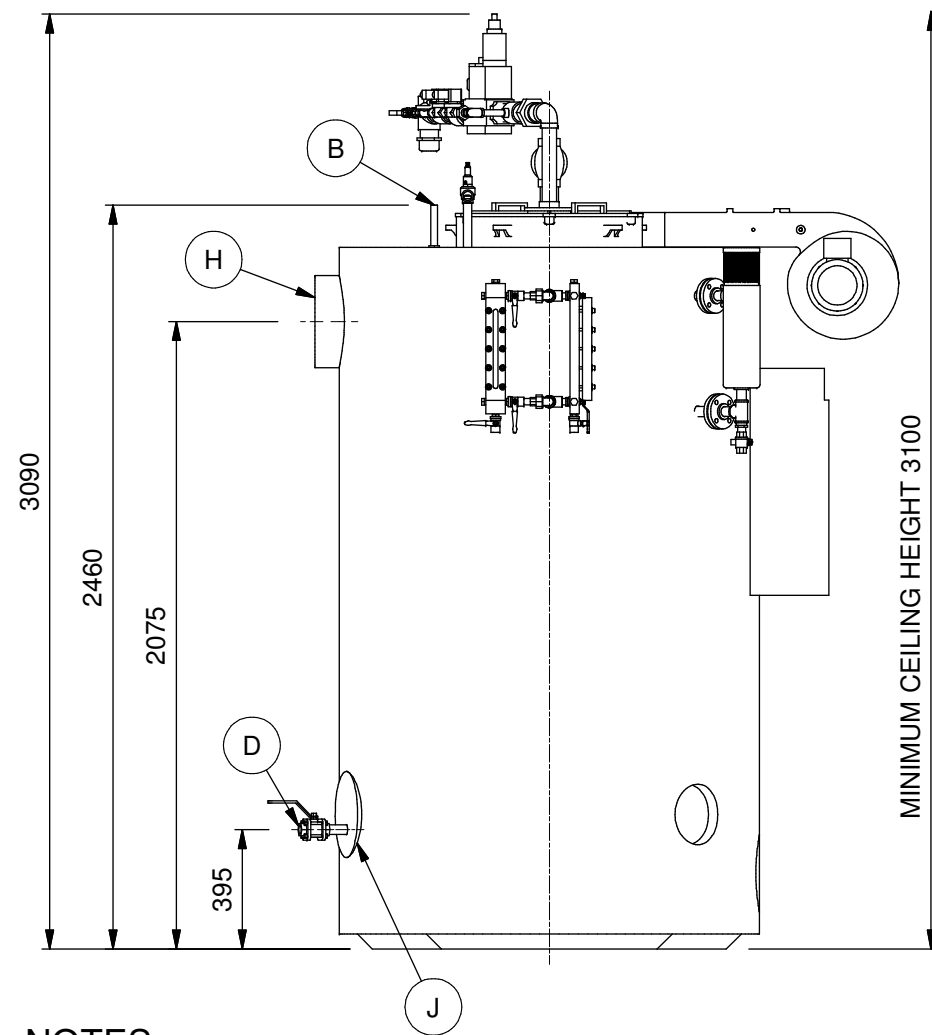
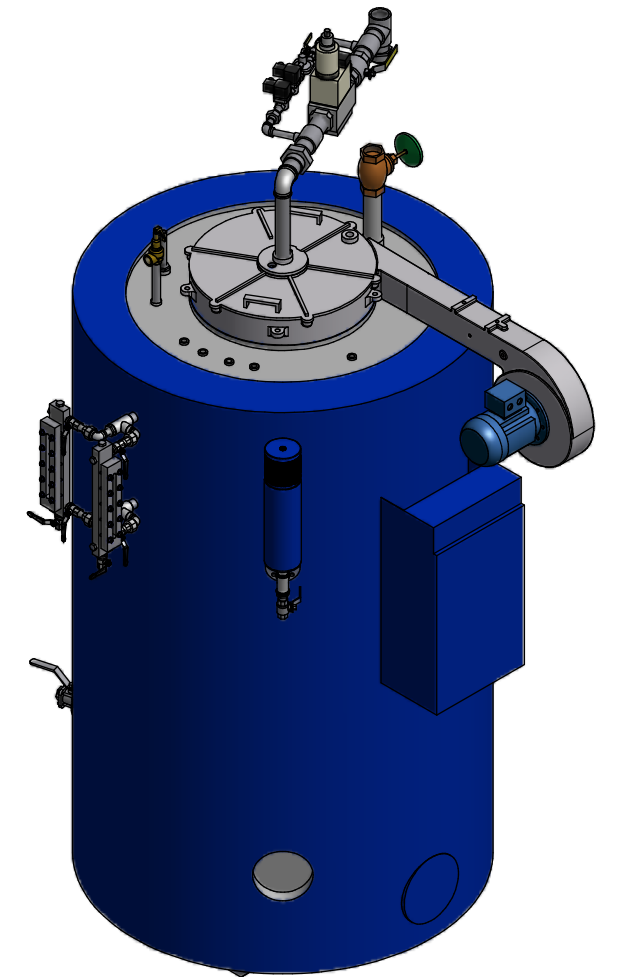


CONNECTION	DESCRIPTION	SIZE
A	STEAM OUTLET	DN50
B	FEED WATER	DN15
C	SAFETY VALVE DISCHARGE	DN25
D	BLOWDOWN (BOILER)	DN25
E	BLOWDOWN (WATER COLUMN)	DN20
F	BLOWDOWN (SIGHT GLASS)	DN15
G	GAS INLET	DN50
H	FLUE CONNECTION	305 DIA
J	INSPECTION HANDHOLES & FLANGE	
K	CLEAN OUT DOOR (FLUE PASS)	

ALL DN CONNECTIONS BSPT

STEAM OUTPUT  
 40J - 640 KG/HR  
 50J - 800 KG/HR  
 60J - 960 KG/HR

STANDARD OPERATING PRESSURE 10.34 BARG  
 WATER CONTENT 1040 LITRES



BOILER	PART NUMBER
40J	040JG140UK
50J	050JG140UK
60J	060JG140UK

**NOTES**

1. DUE TO TOLERANCING DIMENSIONS MAY VARY
2. ENSURE ADEQUATE ACCESS TO INSPECTION OPENINGS & FLANGES

DESIGNED BY CT	DATE 27/08/2010	CHECKED BY MM	APPROVED BY PK	SCALE 1:25	SHT SIZE A3	REVISION -
GAS FIRED 40-60J BOILER INSTALLATION			Fulton Boiler Works (GB) Ltd.			
			PART N°: SEE TABLE	DRAWING N°: F10028	SHEET 1 OF 1	