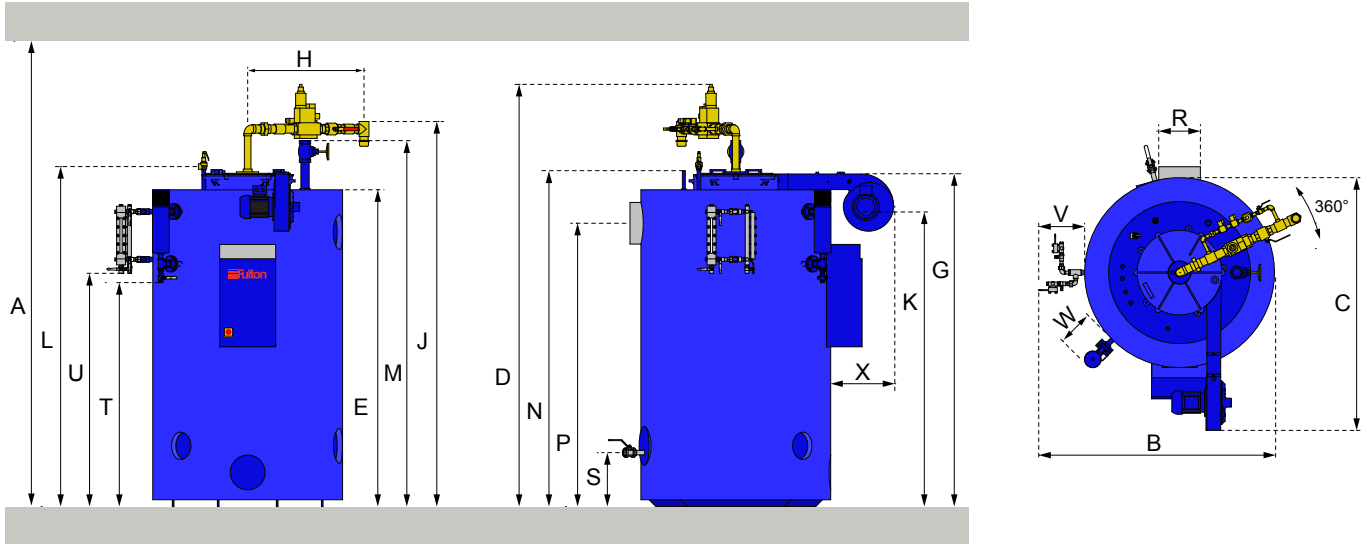


J Series (AUS)

Dimensions & Specification

Dimensions



MODEL: J SERIES (AUS)		10J	15J	20J	30J	50J
A	Minimum Clearance*	2500	2600	2800	3000	3300
B	Overall Width	1065	1110	1335	1525	1655
C	Overall Depth	1040	1085	1425	1615	1890
D	Overall Height	2160	2290	2455	2635	2910
E	Boiler Height	1670	1760	1890	2070	2165
F	Boiler Diameter	715	760	985	1175	1390
G	Height to Top of Fan	1745	1835	2005	2185	2290
H	Gas Train Length	425	555	555	570	940
J	Gas Inlet Height	2045	2165	2330	2510	2630
K	Oil Inlet Height	1550	1640	1735	1915	2000
L	Safety Valve Discharge Height	1840	1930	2060	2240	2325
M	Steam Outlet Height	1845	1950	2100	2320	2630
N	Feedwater Inlet Height	1810	1900	2030	2210	2320
P	Flue Outlet Height	1500	1565	1670	1820	1855
R	Flue Diameter	152	203	255	305	305
S	Main Boiler Blowdown Height	380	380	390	390	385
T	Control Column Blowdown Height	1000	1085	1215	1395	1455
U	Water Level Gauge (Sight Glass) Blowdown Height	1060	1155	1285	1465	1550
V	Water Level Gauge Stand Off	350	350	350	350	265
W	Control Column Stand Off	270	270	270	270	265
X	Fan Stand Off	325	325	440	440	500

* Recommended height for service & maintenance

Note: Dimensions mm

Note: Dimensions are approximate and only intended as a guide to aid installation.

MODEL: J SERIES (AUS)	UNIT	10J	15J	20J	30J	50J
CE marked to PED, EMC & LVD, constructed to BS2790 as standard (other code specifications available).						
General						
Steam Output F & A 100 °C	kg/h	160	240	320	480	800
kW Rating	kW	100	150	200	300	500
Operating Pressure **	barg	10.34	10.34	10.34	10.34	10.34
Weight						
Shipping Weight	kg	977	1090	1620	2270	3400
Operational Weight	kg	1067	1290	1910	2910	4420
Water Content	L	90	200	290	640	1020
Efficiencies						
Gross	%	80	80	80	80	80
Net	%	89	89	89	89	89
Gas Pressures						
Min. Natural Gas Modulating***	mbar	-	-	-	30	30
Min. Natural Gas On/Off	mbar	18	18	18	18	18
Max. Natural Gas	mbar	100	100	100	100	100
Min. LPG	mbar	50	50	50	50	50
Max. LPG	mbar	80	80	80	80	80
Firing Rate						
Gas ****	m ³ /h	11.6	17.4	23.2	34.8	58.1
Oil	L/h	11.8	17.6	23.6	35.2	58.9
LPG/Propane	m ³ /h	4.8	7.2	9.6	14.4	24.1
Ventilation Requirements for Combustion Purposes (Free Area)						
Low Level inlet	cm ²	920	1250	1570	2220	3530
High Level Outlet	cm ²	460	625	785	1110	1765
Electrical Requirements						
FLC 400 V 3 ph 50 Hz	A/ph	4.7	4.7	4.9	4.9	6.9
FLC 230 V 1 ph 50 Hz	A	12.7	12.7	14.9	-	-
Connection Sizes		All threads BSP			F= Female, M=Male	
Steam Outlet	DN	25 F	32 F	32 F	40 F	50 F
Safety Valve Discharge	DN	25 F	25 F	25 F	25 F	25 F
Feedwater Inlet	DN	20 M	20 M	20 M	20 M	20 M
Feedwater Pump Inlet	DN	25 F	25 F	25 F	25 F	25 F
Blowdown, Boiler	DN	20 F	20 F	25 F	25 F	25 F
Blowdown, Water Column	DN	20 F	20 F	20 F	20 F	20 F
Blowdown, Water Level Gauge (Sight Glass)	DN	15 F	15 F	15 F	15 F	15 F
Blowdown, TDS	DN	15 F	15 F	15 F	15 F	15 F
Water Sample Outlet	DN	15 M	15 M	15 M	15 M	15 M
Flue Outlet	in.	6	8	10	12	12
Gas Inlet	DN	20 F	32 F	32 F	40 F	50 F
Oil Connection	in.	Flexible hoses provided 1/4 in. BSP all models.				

** Boilers at higher pressure, available to special order.

*** Modulating control available at lower gas pressures, to special order.

**** Natural Gas - Group H.

Note: Electrical enclosures are rated IP20